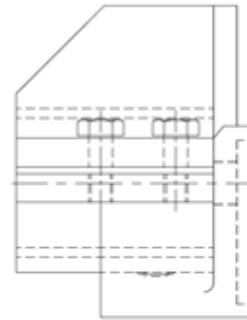
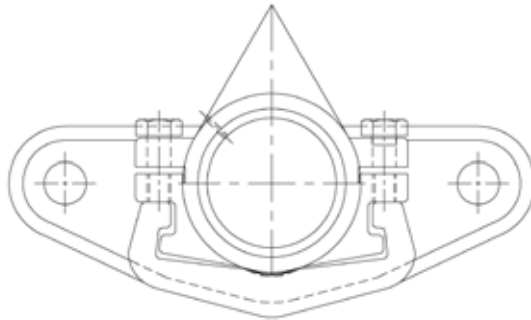


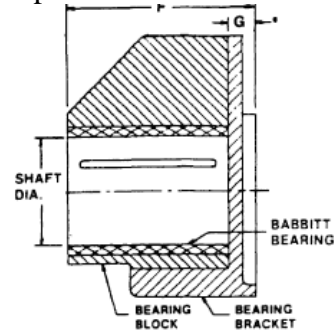
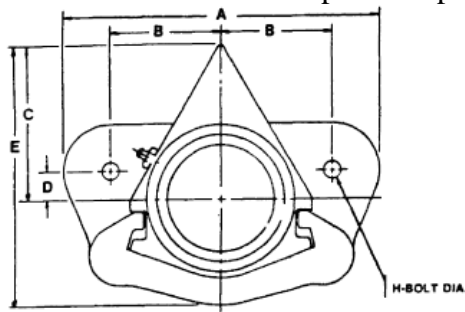
Wall Bearings



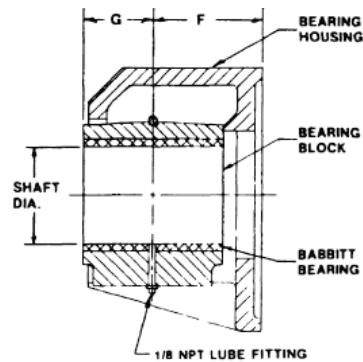
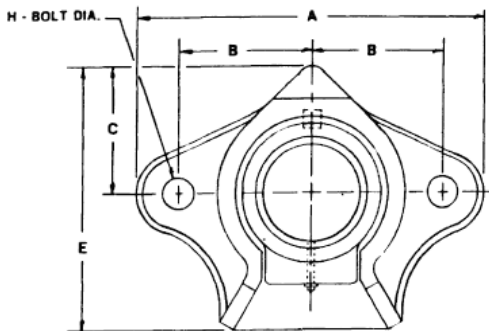
Standard Allied-Locke Industries **wall bearings** are of a split insert design and constructed from cast iron. Other materials can be used for construction per customer request. The split construction is done for easier shaft removal and installation. These wall bearings can also be of a solid insert, or be completely solid having the shaft drop out the bottom of the bearing. The linings can either be babbitt, UHMW-PE, or various materials depending on the environment that they are being used in. Inserts are machined to provide water lubrication but all bearings have a grease fitting installed in them for down time lubrication.



Top Load Split Peak Cap



Solid Peak Cap



Bottom Load Split Peak Cap