



# COMBINATION CHAIN

## ORDERING AND APPLICATION DATA

	MOLINE CHAIN NO.	PITCH IN INCHES	LINKS PER 10 FEET	WEIGHT PER FOOT LBS.	AVERAGE ULTIMATE STRENGTH LBS.	RECOMMENDED MAXIMUM WORKING LOAD LBS.	CHAIN CONSTRUCTION	AVAILABLE ATTACHMENTS
<b>1.631" PITCH CHAIN</b>	C 55	1.631	74	2.2	12,150	1,400	Riveted or Cottered*	A22, G19, F30, K1
	C 55L	1.631	74	2.5	12,150	1,400	Riveted or Cottered*	None
<b>2.307" PITCH CHAIN</b>	C 60	2.307	52	3.0	25,300	2,620	Riveted or Cottered*	None
<b>2.308" PITCH CHAIN</b>	C 77	2.308	52	2.3	14,850	1,640	Riveted or Cottered <sup>®</sup>	F2 K1
<b>2.609" PITCH CHAIN</b>	C 188	2.609	46	3.6	18,900	2,350	Riveted or Cottered <sup>®</sup>	F2, G6, K1, K2, S1
	BRH 188	2.609	46	4.8	18,900	2,350	Riveted or Cottered <sup>®</sup>	None
<b>3.075" PITCH CHAIN</b>	C 131	3.075	39	6.8	32,400	3,880	Riveted or Cottered <sup>®</sup>	F2, G6, K2
<b>4.000" PITCH CHAIN</b>	C 102B	4.000	30	6.8	32,400	5,400	Riveted or Cottered <sup>®</sup>	K2
<b>4.040" PITCH CHAIN</b>	C 102 1/2	4.040	30	9.5	48,600	6,530	Riveted or Cottered <sup>®</sup>	K2, S1
<b>4.760" PITCH CHAIN</b>	C 111	4.760	25.5	9.4	48,600	7,590	Riveted or Cottered <sup>®</sup>	K2, S1
	C 111C	4.760	25.5	9.4	48,600	7,590	Riveted or Cottered <sup>®</sup>	K2, S1
<b>6.000" PITCH CHAIN</b>	C 110	6.000	20	6.3	32,400	5,380	Riveted or Cottered <sup>®</sup>	K2
	C 133	6.000	20	8.8	60,000	5,900	Riveted or Cottered <sup>®</sup>	None
<b>6.050" PITCH CHAIN</b>	C 132	6.050	20	13.4	67,500	11,250	Riveted or Cottered <sup>®</sup>	K2, S1
	PW 132	6.050	20	16.1	67,500	11,250	Riveted or Cottered <sup>®</sup>	S1
	MBP 132	6.050	20	15.7	67,500	11,250	Riveted or Cottered <sup>®</sup>	S1
	MBP 132C	6.050	20	15.7	67,500	11,250	Riveted or Cottered <sup>®</sup>	S1

\*Furnished with pin heads all on same side. <sup>®</sup>Alternating pin heads are standard; can be supplied same side if specified.

**Allied-Locke Industries Inc.**

. . . reach for the star of quality

**Toll Free:**

Phone: 800-435-7752

Fax: 800-462-3130

**Local:**

Phone: 815-288-1471

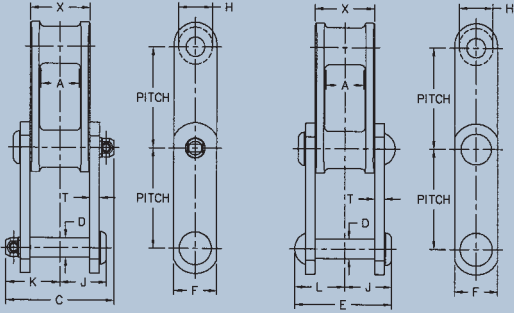
Fax: 815-288-7945

[www.alliedlocke.com](http://www.alliedlocke.com)

# COMBINATION CHAIN



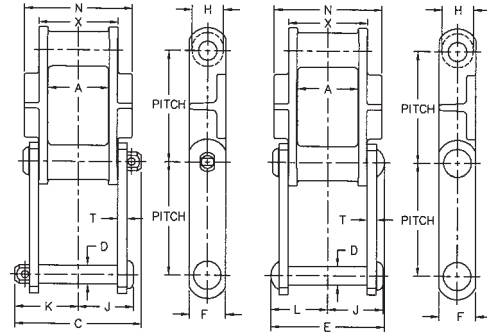
## “C” Type Combination Chain



**Cottered**

**Riveted**

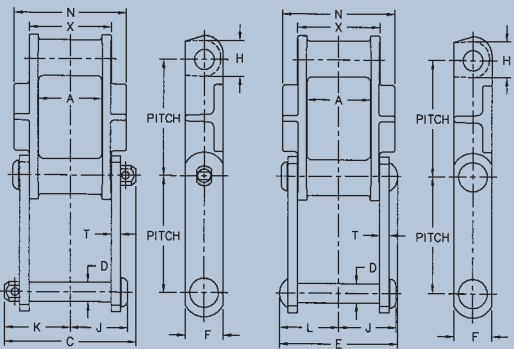
## “MBP” Type Combination Chain



**Cottered**

**Riveted**

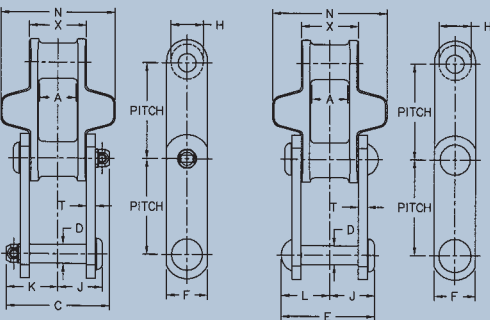
## “PW” Type Combination Chain



**Cottered**

**Riveted**

## “BRH” Type Combination Chain

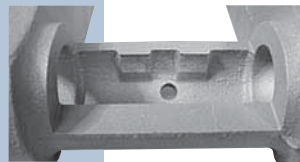


**Cottered**

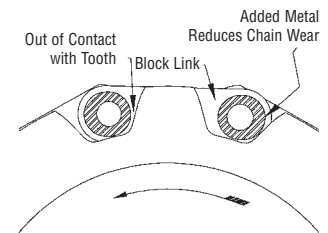
**Riveted**

## Chambered Barrel

Grease in chambers keeps pin lubricated to avoid freezing. Prevents entry of corrosive materials which cause pin and barrel wear.



## Elliptical Barrel





# COMBINATION CHAIN

MOLINE CHAIN NO.	PITCH	DIMENSIONS IN DECIMAL INCHES											
		MAXIMUM ALLOWABLE SPROCKET FACE A	OVER-ALL WIDTH—COTTERED C	DIAMETER OF PIN D	OVERALL-WIDTH—RIVETED E	HEIGHT OF SIDEBAR F	DIAMETER OF BARREL H	HEAD OF PIN TO CENTER LINE J	END OF PIN TO CENTER LINE—COTTERED K	END OF PIN TO CENTER LINE—RIVETED L	WIDTH OF WEARING SHOE N	THICKNESS SIDEBAR T	OVER-ALL LENGTH OF BARREL X
<b>1.631" PITCH CHAIN</b>													
C 55	1.631	0.69	2.06	0.375	1.97	0.75	0.72	0.97	1.09	1.00	—	0.19	1.25
C 55L	1.631	0.69	2.06	0.375	1.97	0.75	0.72	0.97	1.09	1.00	—	0.19	1.25
<b>2.307" PITCH CHAIN</b>													
C 60	2.307	0.88	2.94	0.500	2.88	1.00	0.75	1.31	1.44	1.31	—	0.25	1.69
<b>2.308" PITCH CHAIN</b>													
C 77	2.308	0.69	2.38	0.437	2.25	0.88	0.72	0.97	1.19	1.12	—	0.19	1.25
<b>2.609" PITCH CHAIN</b>													
C 188	2.609	0.94	2.69	0.500	2.50	1.12	0.88	1.25	1.44	1.25	—	0.25	1.56
BRH 188	2.609	0.94	2.69	0.500	2.50	1.12	0.88	1.25	1.44	1.25	3.12	0.25	1.56
<b>3.075" PITCH CHAIN</b>													
C 131	3.075	1.12	3.75	0.625	3.50	1.50	1.22	1.62	1.88	1.75	—	0.38	2.06
<b>4.000" PITCH CHAIN</b>													
C 102B	4.000	2.00	4.56	0.625	4.38	1.50	0.97	2.06	2.28	2.19	—	0.38	2.91
<b>4.040" PITCH CHAIN</b>													
C 102 1/2	4.040	2.00	5.00	0.750	4.38	1.75	1.38	2.12	2.50	2.19	—	0.38	2.91
<b>4.760" PITCH CHAIN</b>													
C 111	4.760	2.38	5.44	0.750	5.00	1.75	1.44	2.38	2.72	2.50	—	0.38	3.38
C 111C	4.760	2.38	5.44	0.750	5.00	1.75	1.44	2.38	2.72	2.50	—	0.38	3.38
<b>6.000" PITCH CHAIN</b>													
C 110	6.000	1.94	4.56	0.625	4.38	1.50	1.25	2.06	2.28	2.19	—	0.38	2.88
C 133	6.000	1.25	4.31	0.875	4.00	2.00	1.75	1.81	2.16	2.00	—	0.38	2.88
<b>6.050" PITCH CHAIN</b>													
C 132	6.050	3.04	6.75	1.000	6.50	2.00	1.72	3.06	3.38	3.25	—	0.50	4.31
PW 132	6.050	3.04	6.75	1.000	6.50	2.00	1.72	3.06	3.38	3.25	5.88	0.50	4.31
MBP 132	6.050	3.04	6.75	1.000	6.50	2.00	1.72	3.06	3.38	3.25	5.88	0.50	4.31
MBP 132C	6.050	3.04	6.75	1.000	6.50	2.00	1.72	3.06	3.38	3.25	5.88	0.50	4.31

**Allied-Locke Industries Inc.**

... the company that delivers

**Toll Free:**

Phone: 800-435-7752

Fax: 800-462-3130

**Local:**

Phone: 815-288-1471

Fax: 815-288-7945

[www.alliedlocke.com](http://www.alliedlocke.com)