

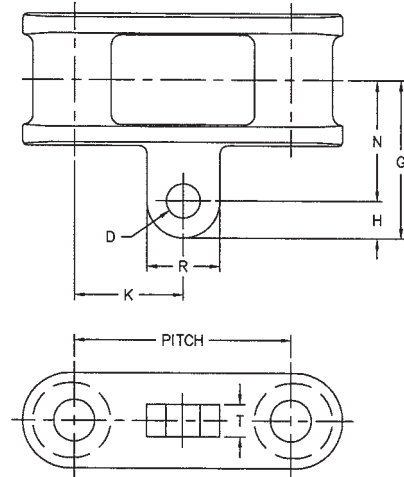
COMBINATION CHAIN ATTACHMENTS



A22 ATTACHMENT

A22 Attachments for
Chain No. C 55 are
Sidebar Attachments.

A22 Attachments for
Chain No. C 188 are
Block Link
Attachments as
illustrated.



| MOLINE ATTACHMENT NO. | DIMENSIONS IN DECIMAL INCHES | | | | | | | | | AVERAGE WEIGHT PER FOOT LBS.* |
|-----------------------------|------------------------------|------------------|------------------|------|------|------|------|------|------|--|
| | PITCH | D | | G | H | K | N | R | T | |
| | | BOLT DIAMETER | HOLE DIAMETER | | | | | | | |
| C 55-A22 | 1.631 | 0.31 | 0.34 | 1.94 | 0.44 | 0.81 | 1.50 | 0.75 | 0.25 | 2.9 |
| C 188-A22 | 2.609 | 0.38 | 0.41 | 1.88 | 0.44 | 1.31 | 1.44 | 0.88 | 0.38 | 3.8 |

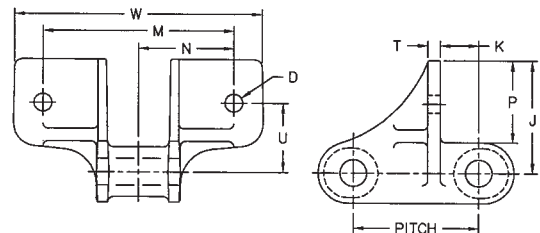
*Attachment every 2nd pitch.

| MOLINE ATTACHMENT NO. | DIMENSIONS IN DECIMAL INCHES | | | | | | | | | | | AVERAGE WEIGHT PER FOOT LBS.* |
|-----------------------------|------------------------------|------------------|------------------|------|------|------|------|------|------|------|------|--|
| | PITCH | D | | J | K | M | N | P | T | U | W | |
| | | BOLT DIAMETER | HOLE DIAMETER | | | | | | | | | |
| C 77-F2 | 2.308 | 0.31 | 0.34 | 1.94 | 1.31 | 1.75 | 0.88 | 1.50 | 0.25 | 1.38 | 2.56 | 3.0 |
| C 131-F2 | 3.075 | 0.38 | 0.44 | 2.75 | 0.94 | 4.69 | 2.34 | 2.00 | 0.31 | 1.69 | 6.12 | 9.0 |
| C 188-F2 | 2.609 | 0.31 | 0.34 | 2.19 | 1.25 | 2.00 | 1.00 | 1.62 | 0.31 | 1.50 | 2.75 | 4.5 |

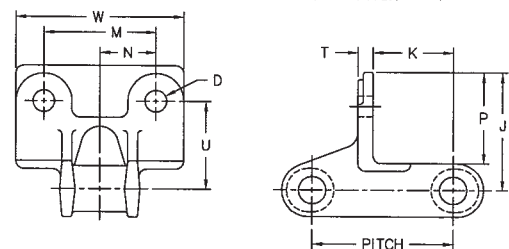
*Attachment every 2nd pitch.

F2 ATTACHMENT

C 131-F2



C 77-F2
C 188-F2

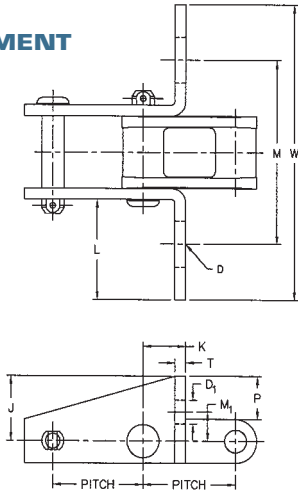


Allied-Locke Industries Inc.
... reach for the star of quality
www.alliedlocke.com



COMBINATION CHAIN ATTACHMENTS

F30 ATTACHMENT



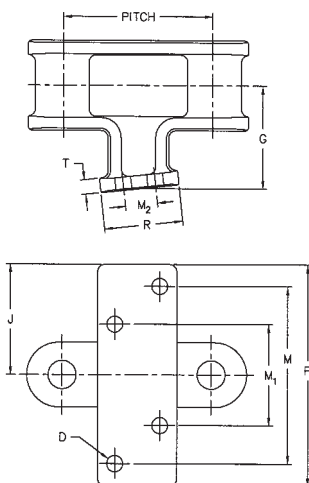
| MOLINE ATTACHMENT NO. | DIMENSIONS IN DECIMAL INCHES | | | | | | | | | | | AVERAGE WEIGHT PER FOOT LBS.* |
|-----------------------|------------------------------|---------------|---------------------------|------|------|------|------|----------------|------|------|------|-------------------------------|
| | PITCH | D SLOT LENGTH | D ₁ SLOT WIDTH | J | K | L | M | M ₁ | P | T | W | |
| C 55-F30 | 1.631 | 0.78 | 0.41 | 1.12 | 0.75 | 1.81 | 3.31 | 0.50 | 0.75 | 0.19 | 5.31 | 2.8 |

*Attachment every 2nd pitch.

| MOLINE ATTACHMENT NO. | DIMENSIONS IN DECIMAL INCHES | | | | | | | | | | | AVERAGE WEIGHT PER FOOT LBS.* |
|-----------------------|------------------------------|---------------|---------------|------|------|------|----------------|----------------|------|------|------|-------------------------------|
| | PITCH | D | | G | J | M | M ₁ | M ₂ | P | R | T | |
| | | BOLT DIAMETER | HOLE DIAMETER | | | | | | | | | |
| C 131-G6 | 3.075 | 0.38 | 0.41 | 2.00 | 2.03 | 3.06 | 1.75 | 0.56 | 4.06 | 2.00 | 0.28 | 7.7 |
| C 188-G6 | 2.609 | 0.25 | 0.28 | 1.12 | 1.91 | 3.06 | 1.75 | 0.56 | 3.81 | 1.38 | 0.25 | 4.5 |

*Attachment every 2nd pitch.

G6 ATTACHMENT



Allied-Locke Industries Inc.
... chain - sprockets - buckets

Toll Free:

Phone: 800-435-7752

Fax: 800-462-3130

Local:

Phone: 815-288-1471

Fax: 815-288-7945

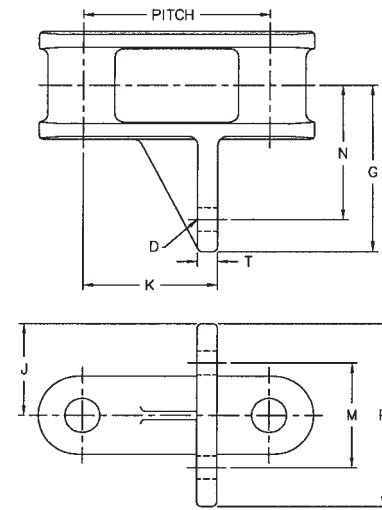
www.alliedlocke.com

**Left Hand
Attachment Shown
Right Hand Attachment Available**

COMBINATION CHAIN ATTACHMENTS



G19 ATTACHMENT



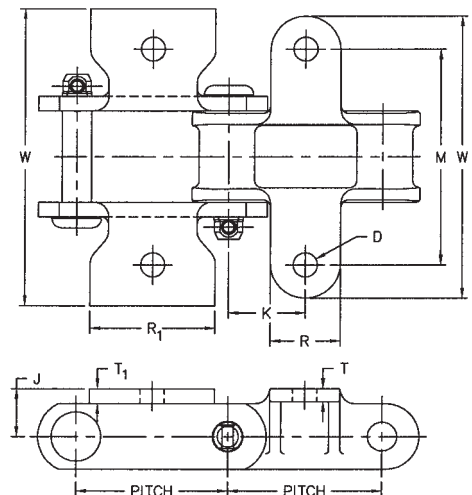
| MOLINE ATTACHMENT NO. | DIMENSIONS IN DECIMAL INCHES | | | | | | | | | | | AVERAGE WEIGHT PER FOOT LBS.* |
|-----------------------|------------------------------|---------------|---------------|------|------|------|------|------|------|------|------|-------------------------------|
| | PITCH | D | | G | J | K | L | M | N | P | T | |
| | | BOLT DIAMETER | HOLE DIAMETER | | | | | | | | | |
| C 55-G19 | 1.631 | 0.31 | 0.34 | 2.25 | 0.88 | 1.03 | 1.66 | 0.88 | 1.69 | 1.75 | 0.25 | 2.7 |
| C 188-G19 | 2.609 | 0.31 | 0.34 | 2.44 | 1.31 | 1.88 | 1.66 | 1.50 | 1.94 | 2.62 | 0.28 | 4.2 |

*Attachment every 2nd pitch.

| MOLINE ATTACHMENT NO. | DIMENSIONS IN DECIMAL INCHES | | | | | | | | | | | AVERAGE WEIGHT PER FOOT LBS.* | |
|-----------------------|------------------------------|---------------|---------------|------|------|------|------|----------------|------|----------------|------|-------------------------------|----------------|
| | PITCH | D | | J | K | M | R | R ₁ | T | T ₁ | W | | W ₁ |
| | | BOLT DIAMETER | HOLE DIAMETER | | | | | | | | | | |
| C 55-K1 | 1.631 | 0.25 | 0.28 | 0.50 | 0.81 | 2.03 | 0.81 | — | 1.16 | — | 2.91 | — | 2.4* |
| C 77-K1 | 2.308 | 0.38 | 0.41 | 0.66 | 1.16 | 3.00 | 1.19 | 1.19 | 0.22 | 0.19 | 4.12 | 4.19 | 2.4* |
| C 188-K1 | 2.609 | 0.38 | 0.41 | 0.81 | 1.31 | 3.75 | 1.19 | 2.12 | 0.22 | 0.25 | 4.81 | 5.12 | 4.8 |

*Attachment every 2nd pitch.

K1 ATTACHMENT



Allied-Locke Industries Inc.
... the company that delivers

Toll Free:

Phone: 800-435-7752

Fax: 800-462-3130

Local:

Phone: 815-288-1471

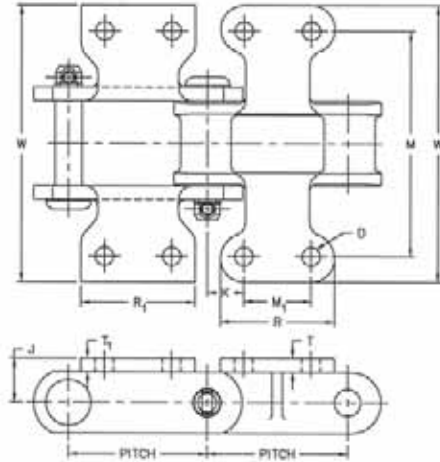
Fax: 815-288-7945

www.alliedlocke.com

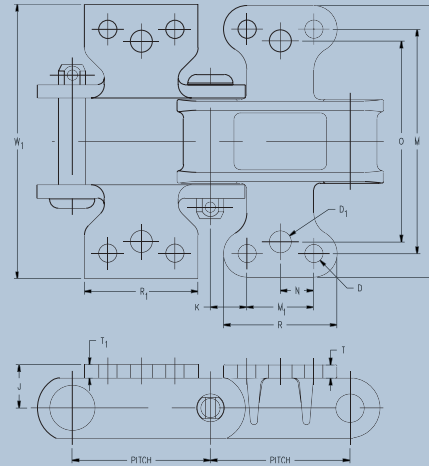


COMBINATION CHAIN ATTACHMENTS

K2 ATTACHMENT



K1/K2 ATTACHMENT



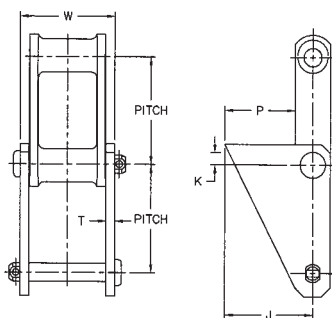
| MOLINE ATTACHMENT NO. | DIMENSIONS IN DECIMAL INCHES | | | | | | | | | | | | | AVERAGE WEIGHT PER FOOT LBS. |
|-----------------------|------------------------------|---------------|---------------|------|------|------|----------------|------|----------------|------|----------------|------|----------------|------------------------------|
| | PITCH | D | | J | K | M | M ₁ | R | R ₁ | T | T ₁ | W | W ₁ | |
| | | BOLT DIAMETER | HOLE DIAMETER | | | | | | | | | | | |
| C 102B-K2 | 4.000 | 0.38 | 0.41 | 1.00 | 2.00 | 5.31 | 1.75 | 2.81 | 2.62 | 0.22 | 0.38 | 6.31 | 6.75 | 8.0 |
| C 102 1/2-K2 | 4.040 | 0.38 | 0.44 | 1.00 | 2.02 | 5.31 | 1.75 | 2.81 | 2.88 | 0.31 | 0.38 | 6.50 | 6.50 | 11.4 |
| C 110-K2 | 6.000 | 0.38 | 0.41 | 1.00 | 3.00 | 5.31 | 1.75 | 2.88 | 2.88 | 0.31 | 0.38 | 6.69 | 6.75 | 7.9 |
| C 111-K2 | 4.760 | 0.50 | 0.56 | 1.12 | 2.38 | 6.25 | 2.31 | 3.50 | 3.56 | 0.31 | 0.38 | 7.50 | 7.69 | 12.3 |
| C 111C-K2 | 4.760 | 0.50 | 0.56 | 1.12 | 2.38 | 6.25 | 2.31 | 3.50 | 3.56 | 0.31 | 0.38 | 7.50 | 7.69 | 12.3 |
| C 131-K2 | 3.075 | 0.50 | 0.56 | 1.00 | 1.53 | 4.12 | 1.50 | 2.62 | 2.50 | 0.31 | 0.38 | 5.25 | 5.38 | 8.1 |
| C 132-K2 | 6.050 | 0.50 | 0.56 | 1.25 | 3.03 | 7.50 | 2.75 | 4.00 | 4.00 | 0.50 | 0.50 | 9.00 | 9.62 | 16.8 |

| MOLINE ATTACHMENT NO. | DIMENSIONS IN DECIMAL INCHES | | | | | | | | | | | | | | | | AVERAGE WEIGHT PER FOOT LBS. | |
|-----------------------|------------------------------|-----------|-----------|----------------|-----------|-----|------|------|----------------|-----|------|------|----------------|------|----------------|------|------------------------------|----------------|
| | PITCH | D | | D ₁ | | J | K | M | M ₁ | N | O | R | R ₁ | T | T ₁ | W | | W ₁ |
| | | BOLT DIA. | HOLE DIA. | BOLT DIA. | HOLE DIA. | | | | | | | | | | | | | |
| C188 K1/K2 | 2.609 | 0.31 | 0.34 | 0.38 | 0.41 | .81 | 1.31 | 4.19 | 1.25 | .62 | 3.75 | 2.12 | 2.12 | 0.25 | 0.25 | 5.06 | 5.12 | 5.2 |

| MOLINE ATTACHMENT NO. | PITCH | J | K | P | T | W | AVERAGE WEIGHT PER FOOT LBS.* |
|-----------------------|-------|------|------|------|------|------|-------------------------------|
| C 102 1/2-S1 | 4.040 | 3.75 | 1.00 | 2.88 | 0.38 | 3.72 | 12.2 |
| C 111-S1 | 4.760 | 4.38 | 1.00 | 3.50 | 0.38 | 4.19 | 12.5 |
| C 111C-S1 | 4.760 | 4.38 | 1.00 | 3.50 | 0.38 | 4.19 | 12.5 |
| C 132-S1 | 6.050 | 5.00 | 1.28 | 4.00 | 0.50 | 5.44 | 18.8 |
| PW 132-S1 | 6.050 | 5.00 | 1.28 | 4.00 | 0.50 | 5.44 | 21.5 |
| MBP 132-S1 | 6.050 | 5.00 | 1.28 | 4.00 | 0.50 | 5.44 | 21.1 |
| MBP 132C-S1 | 6.050 | 5.00 | 1.28 | 4.00 | 0.50 | 5.44 | 21.1 |
| C 188-S1 | 2.609 | 2.62 | 0.62 | 2.19 | 0.25 | 2.12 | 4.7 |

*Attachment every 2nd pitch.

S1 ATTACHMENT



Allied-Locke Industries Inc.

... reach for the star of quality

Toll Free:

Phone: 800-435-7752

Fax: 800-462-3130

Local:

Phone: 815-288-1471

Fax: 815-288-7945

www.alliedlocke.com