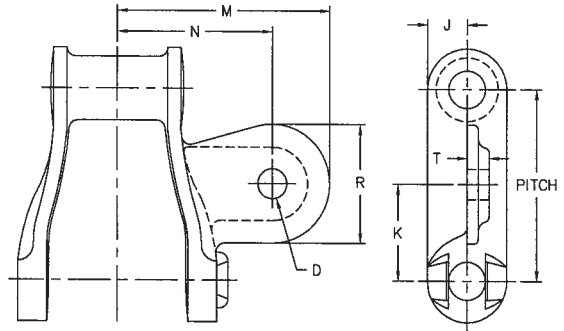


"H" CLASS MILL CHAIN ATTACHMENTS



A1 ATTACHMENT



NOTE: "R" and "L" suffixes in Moline Attachment Nos. designate right and left hand attachments.

MOLINE ATTACHMENT NO.	DIMENSIONS IN DECIMAL INCHES									AVERAGE WEIGHT PER FOOT LBS.
	PITCH	D		J	K	M	N	R	T	
		BOLT DIAMETER	HOLE DIAMETER							
H 78-A1 R	2.609	0.38	0.41	0.56	1.31	3.00	2.19	1.62	0.31	4.8
H 78-A1 L	2.609	0.38	0.41	0.56	1.31	3.00	2.19	1.62	0.31	4.8

MOLINE ATTACHMENT NO.	DIMENSIONS IN DECIMAL INCHES														AVERAGE WEIGHT PER FOOT LBS.	
	PITCH	D		D ₁		J	K	M	M ₁	P	R	T	T ₁	U		W
		BOLT DIA.	HOLE DIA.	BOLT DIA.	SQUARE HOLE											
H 74-F4	2.609	0.31	0.34	0.38	0.41	2.12	1.94	4.12	3.25	0.88	1.12	0.25	0.38	1.38	4.88	6.0
H 78-F4	2.609	0.38	0.41	0.38	0.41	2.12	1.94	4.50	3.75	0.88	1.31	0.25	0.38	1.44	5.38	8.1

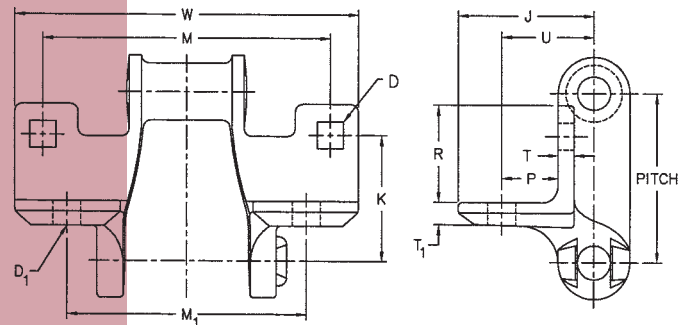
Allied-Locke Industries Inc.
... reach for the star of quality

Toll Free:
Phone: 800-435-7752
Fax: 800-462-3130

Local:
Phone: 815-288-1471
Fax: 815-288-7945

www.alliedlocke.com

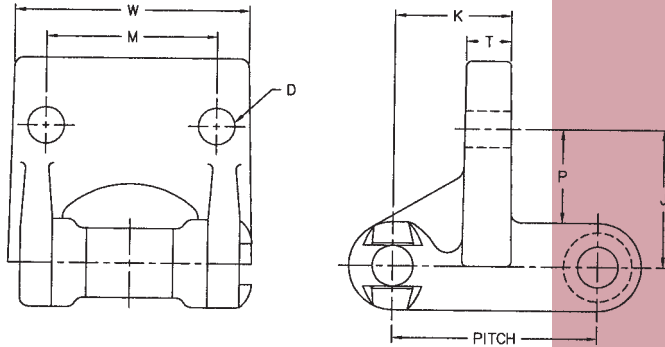
F4 ATTACHMENT





"H" CLASS MILL CHAIN ATTACHMENTS

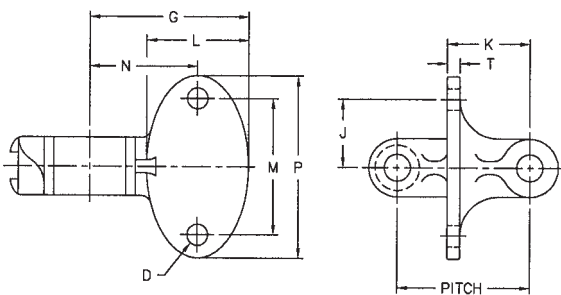
F8 ATTACHMENT



MOLINE ATTACHMENT NO.	DIMENSIONS IN DECIMAL INCHES									AVERAGE WEIGHT PER FOOT LBS.
	PITCH	D		J	K	M	P	T	W	
		BOLT DIAMETER	HOLE DIAMETER							
H 78-F8	2.609	0.44	0.47	1.75	1.50	2.19	1.19	0.62	3.00	10.0

MOLINE ATTACHMENT NO.	DIMENSIONS IN DECIMAL INCHES											AVERAGE WEIGHT PER FOOT LBS.
	PITCH	D		G	J	K	L	M	N	P	T	
		BOLT DIAMETER	HOLE DIAMETER									
H 78-G19	2.609	0.38	0.41	2.75	1.75	1.62	1.25	2.62	2.19	3.50	0.25	5.9

G19 ATTACHMENT



Allied-Locke Industries Inc.
... chain - sprockets - buckets

Toll Free:
Phone: 800-435-7752
Fax: 800-462-3130

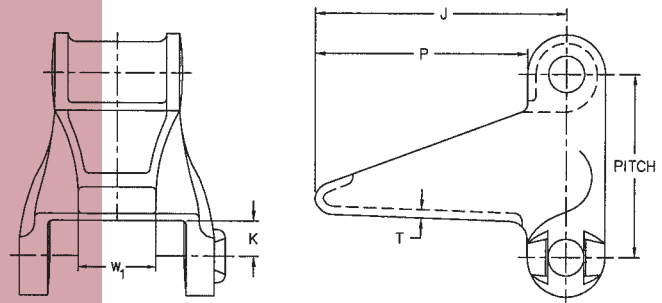
Local:
Phone: 815-288-1471
Fax: 815-288-7945

www.alliedlocke.com

"H" CLASS MILL CHAIN ATTACHMENTS



H1 ATTACHMENT



MOLINE ATTACHMENT NO.	DIMENSIONS IN DECIMAL INCHES						AVERAGE WEIGHT PER FOOT LBS.
	PITCH	J	K	P	T	W ₁	
H 78-H1	2.609	3.62	0.50	3.06	0.12	1.12	6.8

MOLINE ATTACHMENT NO.	DIMENSIONS IN DECIMAL INCHES						AVERAGE WEIGHT PER FOOT LBS.
	PITCH	J	K	P	T	W ₁	
H 60-H2	2.308	2.44	2.12	2.06	0.09	1.00	3.4
H 78-H2	2.609	3.50	2.31	2.94	0.12	1.06	6.5

Allied-Locke Industries Inc.
... the company that delivers

Toll Free:

Phone: 800-435-7752

Fax: 800-462-3130

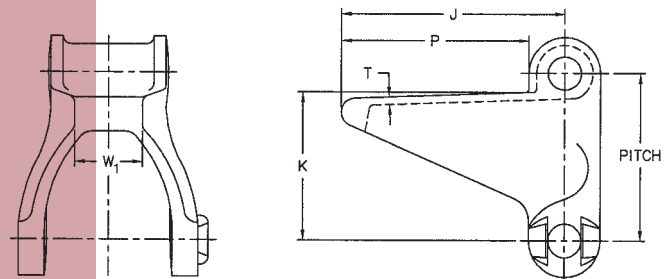
Local:

Phone: 815-288-1471

Fax: 815-288-7945

www.alliedlocke.com

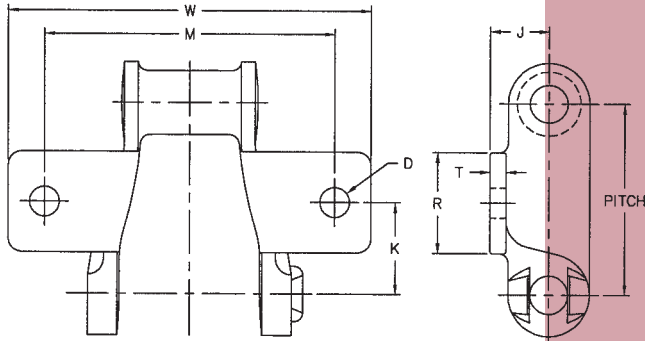
H2 ATTACHMENT





"H" CLASS MILL CHAIN ATTACHMENTS

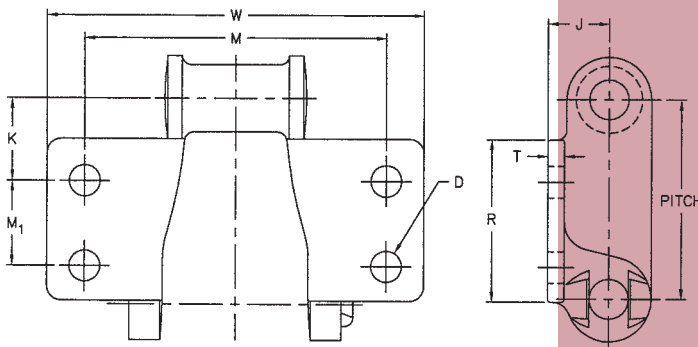
K1 ATTACHMENT



MOLINE ATTACHMENT NO.	DIMENSIONS IN DECIMAL INCHES									AVERAGE WEIGHT PER FOOT LBS.
	PITCH	D		J	K	M	R	T	W	
		BOLT DIAMETER	HOLE DIAMETER							
H 60-K1	2.308	0.31	0.34	0.75	1.06	3.00	1.12	0.19	4.00	2.8
H 78-K1	2.609	0.38	0.41	0.81	1.25	4.00	1.38	0.22	5.00	5.6

MOLINE ATTACHMENT NO.	DIMENSIONS IN DECIMAL INCHES										AVERAGE WEIGHT PER FOOT LBS.
	PITCH	D		J	K	M	M ₁	R	T	W	
		BOLT DIAMETER	HOLE DIAMETER								
H 78-K2	2.609	0.38	0.41	0.81	1.08	4.00	1.12	2.12	0.25	5.00	6.0
H 82-K2	3.075	0.38	0.41	0.88	1.00	4.25	1.31	2.19	0.31	5.50	7.6
H 124-K2	4.000	0.38	0.41	1.19	1.19	5.25	1.94	2.88	0.31	6.38	11.3

K2 ATTACHMENT



Allied-Locke Industries Inc.

... reach for the star of quality

Toll Free:

Phone: 800-435-7752

Fax: 800-462-3130

Local:

Phone: 815-288-1471

Fax: 815-288-7945

www.alliedlocke.com