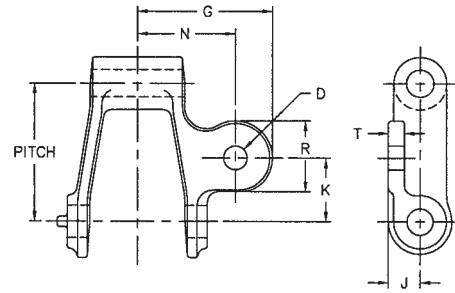


400 CLASS PINTLE CHAIN ATTACHMENTS



A1 ATTACHMENT

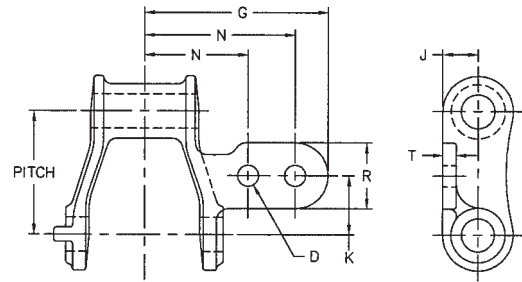
NOTE: "R" and "L" suffixes in Moline Attachment Nos. designate right hand and left hand attachments.



MOLINE ATTACHMENT NO.	DIMENSIONS IN DECIMAL INCHES									AVERAGE WEIGHT PER FOOT LBS.
	PITCH	D		G	J	K	N	R	T	
		BOLT DIAMETER	HOLE DIAMETER							
445-A1R	1.630	0.25	0.28	1.59	0.38	0.75	1.16	0.88	0.19	1.8
445-A1L	1.630	0.25	0.28	1.59	0.38	0.75	1.16	0.88	0.19	1.8

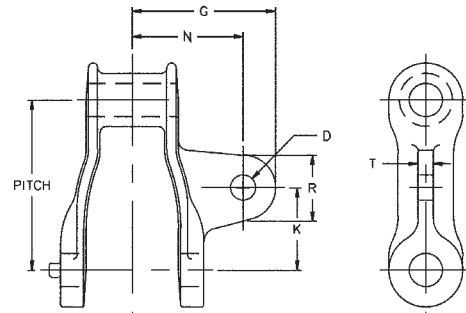
A12 ATTACHMENT

NOTE: "R" and "L" suffixes in Moline Attachment Nos. designate right hand and left hand attachments.



MOLINE ATTACHMENT NO.	DIMENSIONS IN DECIMAL INCHES										AVERAGE WEIGHT PER FOOT LBS.
	PITCH	D		G	J	K	N	N ₁	R	T	
		BOLT DIAMETER	HOLE DIAMETER								
462-A12R	1.634	0.25	0.28	2.44	0.44	0.78	2.00	1.38	0.88	0.19	3.0
462-A12L	1.634	0.25	0.28	2.44	0.44	0.78	2.00	1.38	0.88	0.19	3.0

A22 ATTACHMENT

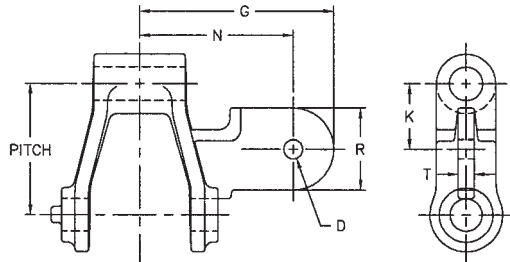


MOLINE ATTACHMENT NO.	DIMENSIONS IN DECIMAL INCHES								AVERAGE WEIGHT PER FOOT LBS.
	PITCH	D		G	K	N	R	T	
		BOLT DIAMETER	HOLE DIAMETER						
477-A22	2.308	0.31	0.34	1.94	1.12	1.50	0.88	0.25	2.5



400 CLASS PINTLE CHAIN ATTACHMENTS

A88 ATTACHMENT



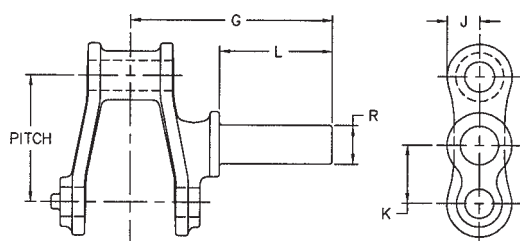
MOLINE ATTACHMENT NO.	DIMENSIONS IN DECIMAL INCHES								AVERAGE WEIGHT PER FOOT LBS.
	PITCH	D		G	K	N	R	T	
		BOLT DIAMETER	HOLE DIAMETER						
452-A88	1.506	0.19	0.22	2.25	0.75	1.78	0.94	0.19	2.6

MOLINE ATTACHMENT NO.	DIMENSIONS IN DECIMAL INCHES						AVERAGE WEIGHT PER FOOT LBS.
	PITCH	G	J	K	L	R	
452-D5	1.506	2.50	0.38	0.75	1.59	0.56	3.0
477-D5	2.308	2.75	0.62	1.12	1.50	0.62	3.1

MOLINE ATTACHMENT NO.	DIMENSIONS IN DECIMAL INCHES						AVERAGE WEIGHT PER FOOT LBS.
	PITCH	G	J	K	L	R	
455-D15	1.630	2.62	0.38	0.75	1.75	0.50	3.4

D5 ATTACHMENT

D15 ATTACHMENT



Allied-Locke Industries Inc.
... reach for the star of quality

Toll Free:

Phone: 800-435-7752

Fax: 800-462-3130

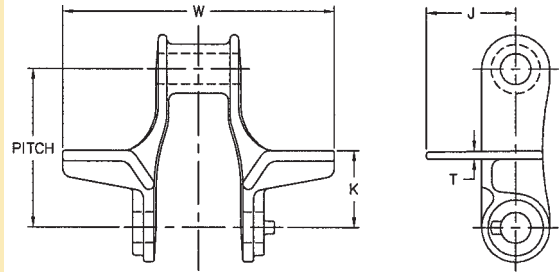
Local:

Phone: 815-288-1471

Fax: 815-288-7945

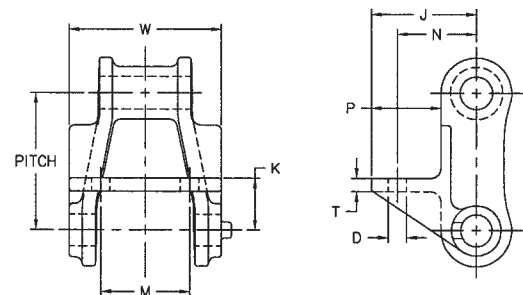
www.alliedlocke.com

400 CLASS PINTLE CHAIN ATTACHMENTS



F16 ATTACHMENT

MOLINE ATTACHMENT NO.	DIMENSIONS IN DECIMAL INCHES					AVERAGE WEIGHT PER FOOT LBS.
	PITCH	J	K	T	W	
477-F16	2.308	1.38	1.25	0.19	4.12	3.3



F2 ATTACHMENT

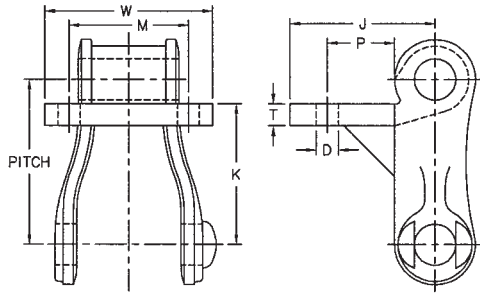
MOLINE ATTACHMENT NO.	DIMENSIONS IN DECIMAL INCHES										AVERAGE WEIGHT PER FOOT LBS.
	PITCH	D		J	K	M	N	P	T	W	
		BOLT DIAMETER	HOLE DIAMETER								
445-F2	1.630	0.19	0.22	1.28	0.62	1.06	0.94	0.91	0.16	1.50	2.0
455-F2	1.630	0.19	0.22	1.25	0.62	1.06	0.94	0.81	0.16	1.81	2.7
462-F2	1.634	0.19	0.22	1.31	0.62	1.06	1.00	0.81	0.16	2.09	2.5
477-F2	2.308	0.31	0.34	2.00	0.75	1.75	1.44	1.50	0.25	2.62	3.7
488-F2	2.609	0.31	0.34	1.97	1.06	2.03	1.38	1.50	0.28	2.88	4.5
4103-F2	3.075	0.38	0.41	2.66	1.25	2.22	2.00	1.91	0.31	3.12	8.1

Allied-Locke Industries Inc. . . . chain - sprockets - buckets www.alliedlocke.com



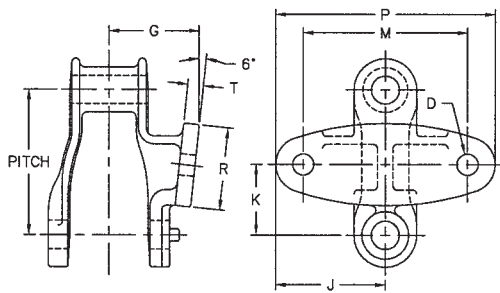
400 CLASS PINTLE CHAIN ATTACHMENTS

F29 ATTACHMENT



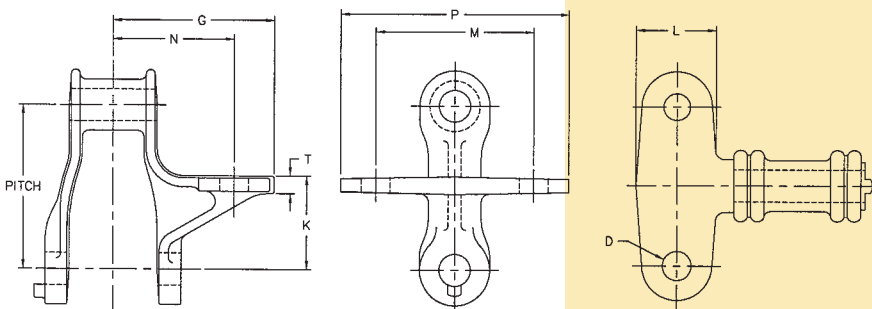
MOLINE ATTACHMENT NO.	DIMENSIONS IN DECIMAL INCHES									AVERAGE WEIGHT PER FOOT LBS.
	PITCH	D		J	K	M	P	T	W	
		BOLT DIAMETER	HOLE DIAMETER							
4103-F29	3.075	0.38	0.41	2.69	2.62	2.22	1.25	0.41	3.12	9.6

G1 ATTACHMENT



MOLINE ATTACHMENT NO.	DIMENSIONS IN DECIMAL INCHES									AVERAGE WEIGHT PER FOOT LBS.	
	PITCH	D		G	J	K	M	P	R		T
		BOLT DIAMETER	HOLE DIAMETER								
477-G1	2.308	0.31	0.34	1.44	1.75	1.12	2.62	3.50	1.31	0.25	3.7

G19 ATTACHMENT

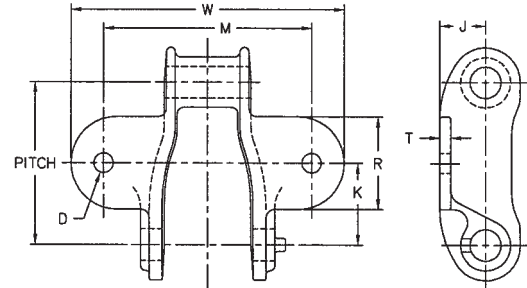


MOLINE ATTACHMENT NO.	DIMENSIONS IN DECIMAL INCHES										AVERAGE WEIGHT PER FOOT LBS.
	PITCH	D		G	K	L	M	N	P	T	
		BOLT DIAMETER	HOLE DIAMETER								
477-G19	2.308	0.38	0.41	2.28	1.31	1.12	2.25	1.72	3.25	0.19	3.3
488-G19	2.609	0.31	0.34	2.69	1.38	1.38	2.62	2.00	3.62	0.22	4.4

400 CLASS PINTLE CHAIN ATTACHMENTS



K1 ATTACHMENT

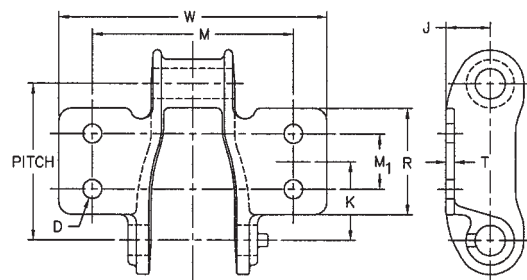


MOLINE ATTACHMENT NO.	DIMENSIONS IN DECIMAL INCHES									AVERAGE WEIGHT PER FOOT LBS.
	PITCH	D		J	K	M	R	T	W	
		BOLT DIAMETER	HOLE DIAMETER							
445-K1	1.630	0.19	0.22	0.44	0.72	2.06	0.94	0.12	2.81	2.1
452-K1	1.506	0.19	0.22	0.44	0.75	2.06	0.72	0.16	2.75	2.5
455-K1*	1.630	0.25	0.28	0.44	0.81	2.00	0.81	0.16	2.88	2.3
462-K1	1.634	0.25	0.28	0.50	0.81	2.38	0.94	0.16	3.25	3.2
477-K1	2.308	0.25	0.28	0.66	1.16	3.00	1.38	0.16	3.94	2.9
488-K1	2.609	0.31	0.34	0.66	1.31	3.81	1.38	0.19	4.75	3.9

*Available cotted construction only.

MOLINE ATTACHMENT NO.	DIMENSIONS IN DECIMAL INCHES										AVERAGE WEIGHT PER FOOT LBS.
	PITCH	D		J	K	M	M ₁	R	T	W	
		BOLT DIAMETER	HOLE DIAMETER								
477-K2	2.308	0.25	0.28	0.66	1.16	3.00	0.81	1.56	0.12	4.00	2.9
488-K2	2.609	0.31	0.34	0.66	1.28	3.62	1.25	2.12	0.19	4.50	4.6
4103-K2	3.075	0.50	0.56	0.84	1.53	4.12	1.50	2.62	0.31	5.25	8.0

K2 ATTACHMENT



Allied-Locke Industries Inc.

... reach for the star of quality

Toll Free:

Phone: 800-435-7752

Fax: 800-462-3130

Local:

Phone: 815-288-1471

Fax: 815-288-7945

www.alliedlocke.com