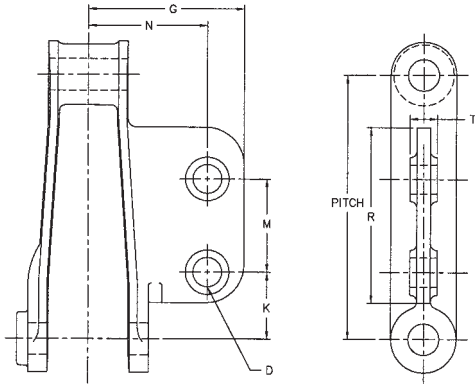




700 CLASS PINTLE CHAIN ATTACHMENTS

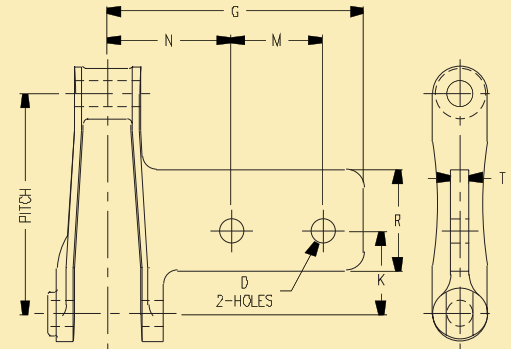
A2 ATTACHMENT



Attachment No.
730-A2, available
without bosses only

Attachment Nos.
720-A2 and
MS 720S-A2, available
with bosses only

AD474 ATTACHMENT

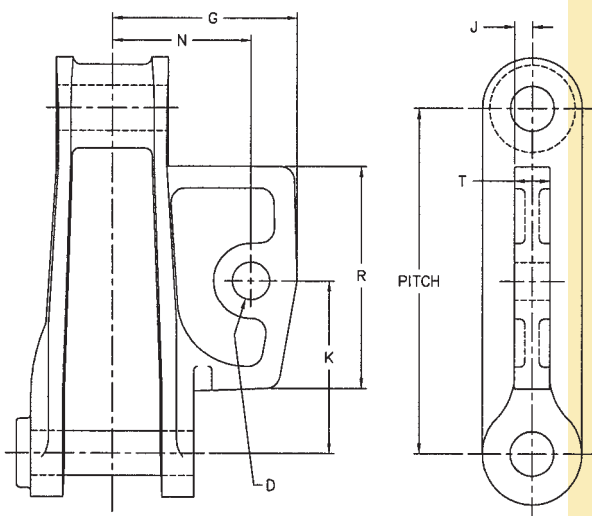


MOLINE ATTACHMENT NO.	DIMENSIONS IN DECIMAL INCHES									AVERAGE WEIGHT PER FOOT LBS.
	PITCH	D		G	K	M	N	R	T	
		BOLT DIAMETER	HOLE DIAMETER							
720-A2	6.000	0.62	0.69	3.56	1.50	2.12	2.72	4.00	0.62	6.5
MS720 S-A2	6.000	0.62	0.69	3.56	1.94	2.12	2.75	3.75	0.62	8.8
730-A2	6.000	0.62	0.69	3.56	1.94	2.12	2.75	3.81	0.44	8.6

MOLINE ATTACHMENT NO.	DIMENSIONS IN DECIMAL INCHES									AVERAGE WEIGHT PER FOOT LBS.
	PITCH	D		G	K	M	N	R	T	
		BOLT DIAMETER	HOLE DIAMETER							
MS720 S-AD474	6.000	0.62	0.66	7.00	2.25	2.50	3.38	2.75	0.50	6.5

MOLINE ATTACHMENT NO.	DIMENSIONS IN DECIMAL INCHES									AVERAGE WEIGHT PER FOOT LBS.
	PITCH	D		G	J	K	N	R	T	
		BOLT DIAMETER	HOLE DIAMETER							
730-A42	6.000	0.62	0.69	3.25	0.31	3.00	2.44	3.88	0.62	7.3
MS720 S-A42	6.000	0.62	0.66	3.88	0.78	3.00	3.00	3.88	1.56	9.0

A42 ATTACHMENT



Allied-Locke Industries Inc.
... reach for the star of quality

Toll Free:
Phone: 800-435-7752
Fax: 800-462-3130

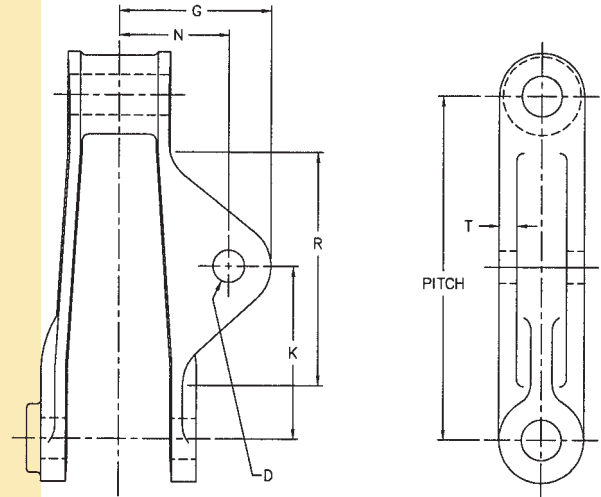
Local:
Phone: 815-288-1471
Fax: 815-288-7945

www.alliedlocke.com

700 CLASS PINTLE CHAIN ATTACHMENTS



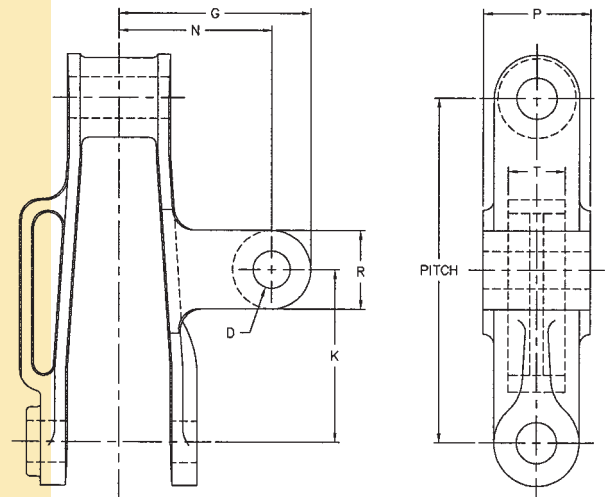
A53 ATTACHMENT



MOLINE ATTACHMENT NO.	DIMENSIONS IN DECIMAL INCHES								AVERAGE WEIGHT PER FOOT LBS.
	PITCH	D		G	K	N	R	T	
		BOLT DIAMETER	HOLE DIAMETER						
720-A53	6.000	0.50	0.56	2.69	3.00	1.94	3.75	0.31	6.3
720S-A53	6.000	0.50	0.56	2.69	3.00	1.94	3.00	0.31	7.3

MOLINE ATTACHMENT NO.	DIMENSIONS IN DECIMAL INCHES								AVERAGE WEIGHT PER FOOT LBS.	
	PITCH	D		G	K	N	P	R		T
		BOLT DIAMETER	HOLE DIAMETER							
720-AM116	6.000	0.62	0.66	3.38	3.00	2.75	1.94	1.38	1.00	7.8
720S-AM116	6.000	0.62	0.66	3.38	3.00	2.69	1.88	1.38	1.00	8.8

AM116 ATTACHMENT



Allied-Locke Industries Inc.
... chain - sprockets - buckets

Toll Free:

Phone: 800-435-7752

Fax: 800-462-3130

Local:

Phone: 815-288-1471

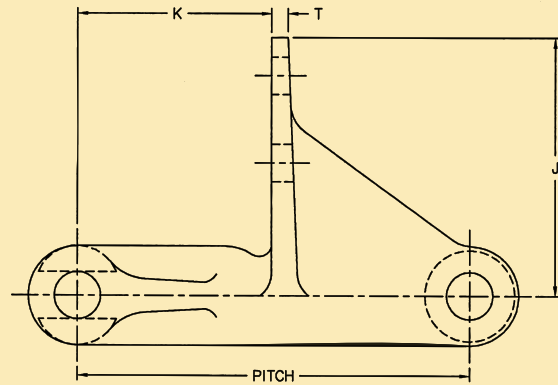
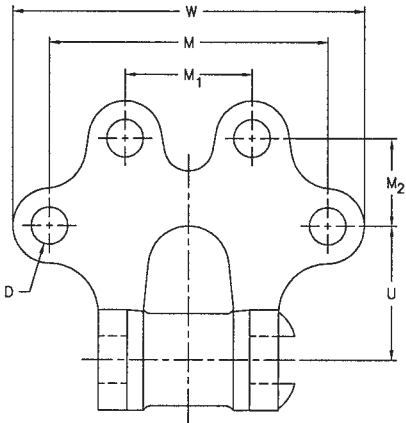
Fax: 815-288-7945

www.alliedlocke.com



700 CLASS PINTLE CHAIN ATTACHMENTS

F2 ATTACHMENT



MOLINE ATTACHMENT NO.	DIMENSIONS IN DECIMAL INCHES											AVERAGE WEIGHT PER FOOT LBS.
	PITCH	D		J	K	M	M ₁	M ₂	T	U	W	
		BOLT DIAMETER	HOLE DIAMETER									
720-F2	6.000	0.50	0.56	3.88	3.00	4.25	1.94	1.31	0.25	2.00	5.31	6.4
720-S-F2	6.000	0.38	0.44	3.88	3.00	4.25	1.94	1.31	0.25	2.00	5.31	7.7
MS 720 S-F2	6.000	0.38	0.44	3.88	3.00	4.25	1.94	1.31	0.25	2.00	5.31	7.7
730-F2	6.000	0.38	0.44	3.84	3.00	4.25	1.94	1.31	0.38	2.00	5.31	7.5
MS 730-F2	6.000	0.38	0.44	3.84	3.00	4.25	1.94	1.31	0.38	2.00	5.31	7.5

Allied-Locke Industries Inc.

... the company that delivers

Toll Free:

Phone: 800-435-7752

Fax: 800-462-3130

Local:

Phone: 815-288-1471

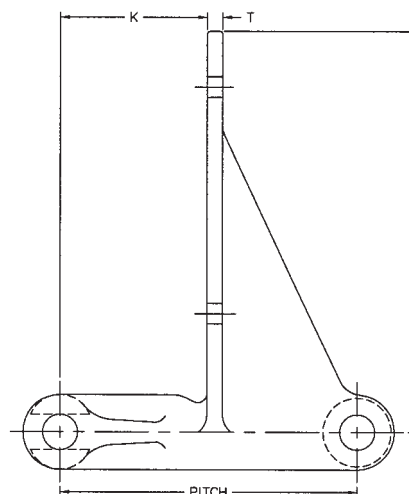
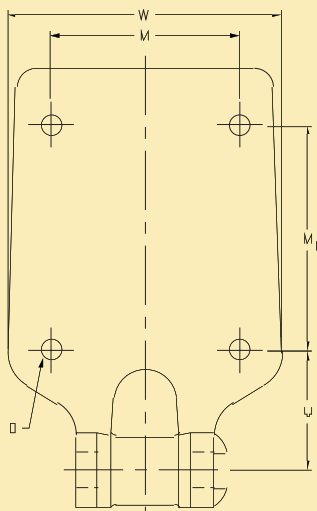
Fax: 815-288-7945

www.alliedlocke.com

700 CLASS PINTLE CHAIN ATTACHMENTS



F22 ATTACHMENT



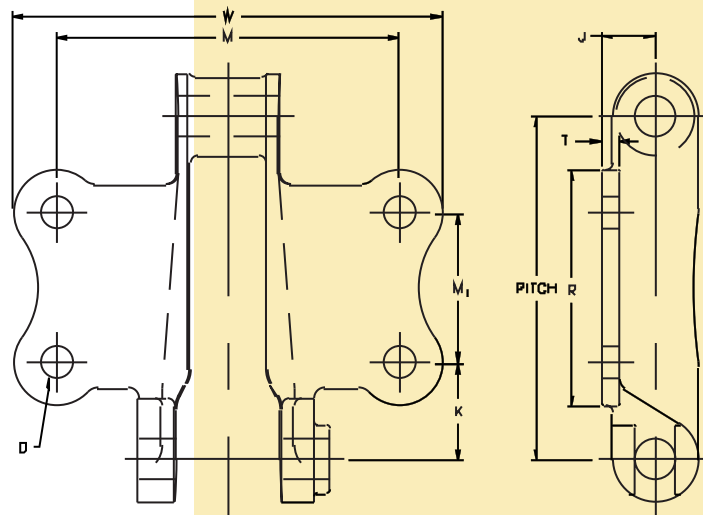
MOLINE ATTACHMENT NO.	DIMENSIONS IN DECIMAL INCHES										AVERAGE WEIGHT PER FOOT LBS.
	PITCH	D		J	K	M	M ₁	T	U	W	
		BOLT DIAMETER	HOLE DIAMETER								
720-F22-6	6.000	0.38	0.44	6.00	3.00	3.75	2.62	0.31	2.38	5.50	12.8
720S-F22-6	6.000	0.38	0.44	6.00	3.00	3.75	2.62	0.31	2.38	5.50	13.8
MS 720S-F22-6	6.000	0.38	0.44	6.00	3.00	3.75	2.62	0.31	2.38	5.50	13.8
730-F22-6	6.000	0.38	0.44	6.00	3.00	3.75	2.62	0.31	2.38	5.50	13.8
MS 730-F22-6	6.000	0.38	0.44	6.00	3.00	3.75	2.62	0.31	2.38	5.50	13.8

MOLINE ATTACHMENT NO.	DIMENSIONS IN DECIMAL INCHES										AVERAGE WEIGHT PER FOOT LBS.
	PITCH	D		J	K	M	M ₁	T	U	W	
		BOLT DIAMETER	HOLE DIAMETER								
720-F22-8	6.000	0.38	0.44	8.00	3.00	3.75	4.50	0.31	2.38	5.50	13.6
720S-F22-8	6.000	0.38	0.44	8.00	3.00	3.75	4.50	0.31	2.38	5.50	14.6
MS 720S-F22-8	6.000	0.38	0.44	8.00	3.00	3.75	4.50	0.31	2.38	5.50	14.6
730-F22-8	6.000	0.38	0.44	8.00	3.00	3.75	4.50	0.31	2.38	5.50	14.6
MS 730-F22-8	6.000	0.38	0.44	8.00	3.00	3.75	4.50	0.31	2.38	5.50	14.6



700 CLASS PINTLE CHAIN ATTACHMENTS

K2 ATTACHMENT



MOLINE ATTACHMENT NO.	DIMENSIONS IN DECIMAL INCHES										AVERAGE WEIGHT PER FOOT LBS.
	PITCH	D		J	K	M	M ₁	R	T	W	
		BOLT DIAMETER	HOLE DIAMETER								
MS 720S-K2	6.000	0.50	0.56	0.94	1.69	6.00	2.62	4.12	0.31	7.50	8.5
730-K2	6.000	0.50	0.56	1.00	1.69	6.00	2.62	4.00	0.31	7.31	8.6

Allied-Locke Industries Inc.

. . . chain - sprockets - buckets

Toll Free:

Phone: 800-435-7752

Fax: 800-462-3130

Local:

Phone: 815-288-1471

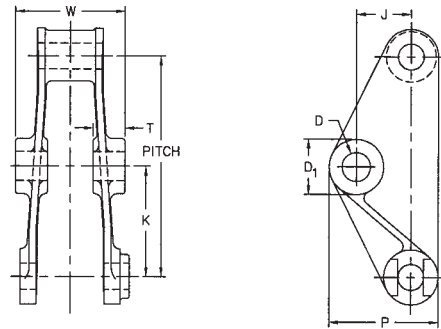
Fax: 815-288-7945

www.alliedlocke.com

700 CLASS PINTLE CHAIN ATTACHMENTS

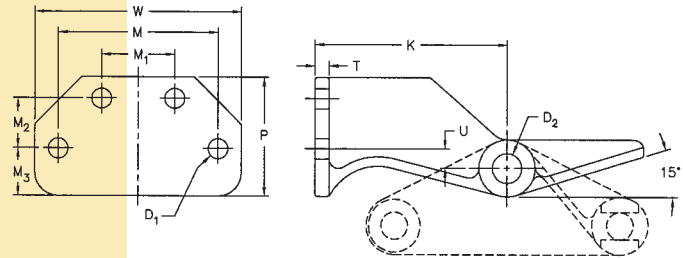


M-1 ATTACHMENT



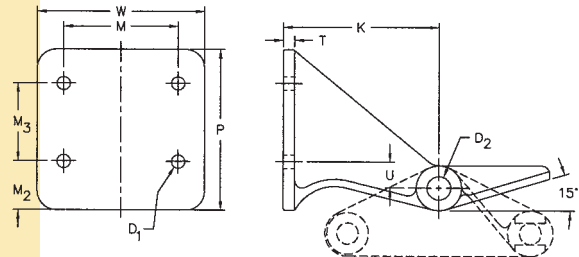
MOLINE ATTACHMENT NO.	DIMENSIONS IN DECIMAL INCHES									AVERAGE WEIGHT PER FOOT LBS.
	PITCH	D		D ₁	J	K	P	T	W	
		BOLT DIAMETER	HOLE DIAMETER							
720-M1	6.000	0.75	0.81	1.50	1.50	3.00	3.00	0.75	3.00	6.0
720S-M1	6.000	0.75	0.81	1.50	1.50	3.00	3.00	0.75	3.00	6.9
MS 720S-M1	6.000	0.75	0.81	1.50	1.50	3.00	3.00	0.75	3.00	6.9
730-M1	6.000	0.75	0.81	1.50	1.62	3.00	3.25	0.75	3.00	7.9
MS 730-M1	6.000	0.75	0.81	1.50	1.62	3.00	3.25	0.75	3.00	7.9

PDF2 ATTACHMENT



MOLINE ATTACHMENT NO.	DIMENSIONS IN DECIMAL INCHES													AVERAGE WEIGHT EACH LBS.	
	D ₁		D ₂			K	M	M ₁	M ₂	M ₃	P	T	U		W
	BOLT DIAMETER	HOLE DIAMETER	BOLT DIAMETER	HOLE DIAMETER											
PDF2	0.50	0.56	0.75	0.81	5.12	4.25	1.94	1.25	1.31	3.12	0.38	0.50	5.50	5.0	

PDF22 ATTACHMENT



MOLINE ATTACHMENT NO.	DIMENSIONS IN DECIMAL INCHES												AVERAGE WEIGHT EACH LBS.	
	D ₁		D ₂			K	M	M ₂	M ₃	P	T	U		W
	BOLT DIAMETER	HOLE DIAMETER	BOLT DIAMETER	HOLE DIAMETER										
PDF22-6	0.38	0.44	0.75	0.81	5.12	3.75	1.62	2.62	5.38	0.38	0.88	5.50	6.0	
PDF22-8	0.38	0.44	0.75	0.81	5.12	3.75	1.62	4.50	7.38	0.38	0.88	5.50	7.8	