

DETACHABLE CHAIN



Detachable Chain is the first malleable iron chain to be employed extensively for industry-wide applications. It is a lightweight, low cost chain available in a full range of sizes and can be used in a wide variety of applications where light and medium loads are carried at slow or intermediate speeds in relatively clean atmospheres.

Constructed of one-piece, interconnecting links, Detachable Chain is easy to assemble and to disassemble. Individual links are inserted from one side, at the proper angle, as illustrated. When fully inserted, the link is lowered to the same plane as the rest of the chain and becomes an interlock chain segment until it is again raised to the proper angle and detached.

Where no take-up is available in a chain application, properly pitched coupler links, attached in pairs with pin and cotter, can be used to join ends into a continuous chain with a minimum of slack.

Detachable Chain operates with the closed

side of the hook riding next to the sprocket wheel. For drive applications, the direction of travel is in the direction of the hook; for conveyor and elevator applications, the direction of travel is in the direction of the end bar.

Moline Detachable is manufactured in Moline Promal. Tensile strengths of Promal links range from 880 to 21,250 pounds.

Two link styles are also available: Style "A" has a plain hook and fulfills standard service requirements; Style "B" has a ribbed hook more suitable for heavy-duty service. All Detachable links are precision made to standard chain industry specifications and are interchangeable with other manufacturers' chain links.

The pitch range of Moline's Detachable Chain, 0.902 to 4.063 inches, satisfies a wide variety of detachable applications. A complete range of attachment styles is offered. Brutaloy or cast steel sprockets are available for every detachable pitch size.

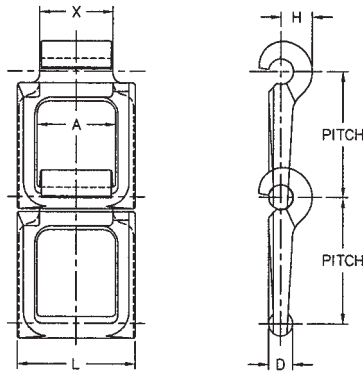
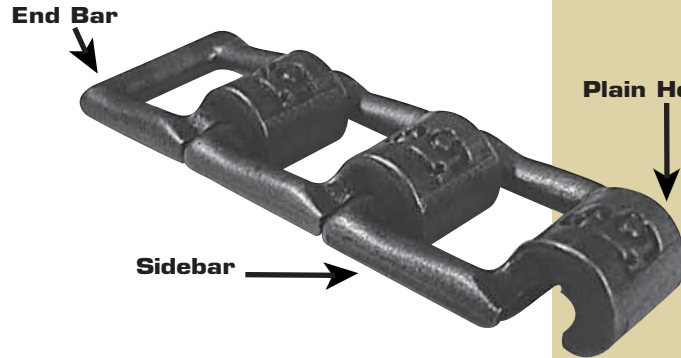
ORDERING AND APPLICATIONS DATA

MOLINE CHAIN NO.	HOOK STYLE A OR B	PITCH IN INCHES	LINKS PER 10 FEET	WEIGHT PER 10 FEET LBS.	AVERAGE ULTIMATE STRENGTH LBS.	RECOMMENDED MAXIMUM WORKING LOAD LBS.	AVAILABLE ATTACHMENTS	AVAILABLE COUPLERS	
								PART NO.	WEIGHT PER PAIR LBS.
25	A	0.902	133	2.4	880	150	A1-R, A1-L	None	—
32	A	1.154	104	3.5	1,380	230	A1-R, A1-L, K1	None	—
42	A	1.375	88	5.5	2,000	330	A1-R, A1-L, K1	None	—
45	A	1.630	74	5.2	2,130	360	A1-R, A1-L, K1	None	—
51	A	1.155	104	7.7	2,380	400	K1	None	—
S51	A	1.136	105	7.6	2,380	400	None	None	—
52	A	1.506	80	8.0	2,880	480	A1, D5, K1	52-Coupler	0.3
55	A	1.631	74	7.0	2,880	480	A1-R, A1-L, D5 9/16-R, D5 9/16-L, C1, F2, G27-R, G27-L, K1	55-Coupler	0.3
57	A	2.308	52	9.0	3,630	600	A1-R, A1-L, F2	57-Coupler	0.5
62	A	1.654	73	11.1	4,000	670	A1-R, A1-L, A12-R, A12-L, D5-R, D5-L, K1	62-Coupler	0.4
S62	A	1.654	73	16.0	3,880	650	None	None	—
67	B	2.308	52	11.2	4,250	710	None	None	—
75	A	2.609	46	11.3	5,130	860	D5-R, D5-L	75-Coupler	0.7
77	B	2.297	52	11.4	4,500	750	A1-R, A1-L, D5, F2, K1	77-Coupler	0.7
78	B	2.609	46	11.9	6,880	1,150	K1	78-Coupler	1.1
88	B	2.609	46	22.4	8,000	1,330	F2, K1	88-Coupler	1.3
103	B	3.075	39	40.0	12,500	2,090	F2, F8	103-Coupler	2.7
124	B	4.063	30	66.6	21,250	3,540	F8	124-Coupler	5.8

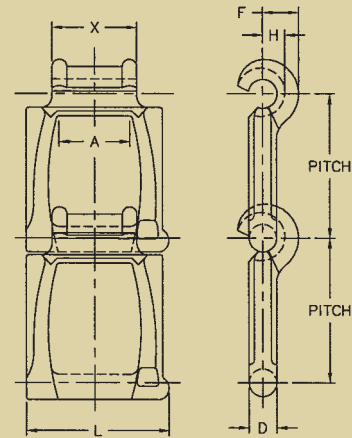
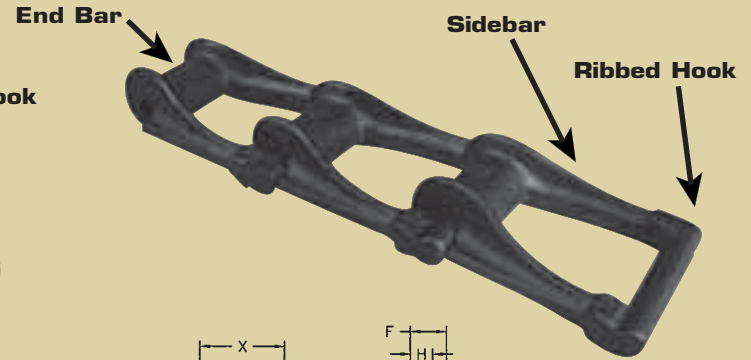


DETACHABLE CHAIN

Style "A"



Style "B"



MOLINE CHAIN	DIMENSIONS IN DECIMAL INCHES						
	PITCH	MAXIMUM ALLOWABLE SPROCKET FACE A	DIAMETER OF END BAR D	DEPTH OF RIB (Style B Ribbed Hook Only) F	BACKING H	OVER-ALL WIDTH L	BEARING LENGTH X
25	0.902	0.38	0.14	—	0.20	0.78	0.41
32	1.154	0.50	0.17	—	0.25	0.97	0.58
42	1.375	0.62	0.22	—	0.28	1.28	0.77
45	1.630	0.69	0.22	—	0.30	1.31	0.80
51	1.155	0.56	0.27	—	0.36	1.25	0.67
S51	1.136	0.56	0.27	—	0.30	1.06	0.64
52	1.506	0.62	0.27	—	0.34	1.53	0.83
55	1.631	0.69	0.27	—	0.36	1.41	0.81
57	2.308	0.75	0.27	—	0.41	1.81	1.09
62	1.654	0.81	0.31	—	0.41	1.66	0.97
S62	1.654	0.81	0.31	—	0.41	1.53	0.97
67	2.308	0.69	0.31	0.53	0.41	2.03	1.36
75	2.609	0.94	0.41	—	0.44	2.09	1.12
77	2.297	0.69	0.39	0.61	0.36	2.22	1.42
78	2.609	0.94	0.42	0.66	0.44	2.62	1.62
88	2.609	0.94	0.48	0.78	0.44	2.75	1.78
103	3.075	1.12	0.58	1.00	0.61	3.28	2.03
124	4.063	1.25	0.77	1.31	0.68	4.06	2.30