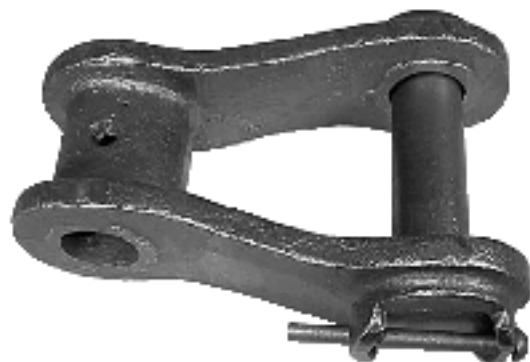
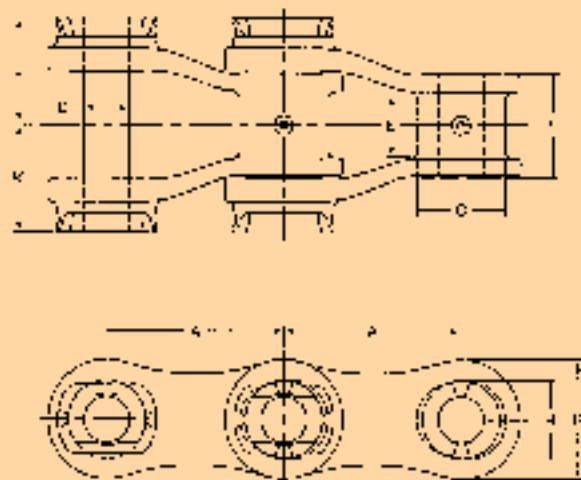


BARKING DRUM CHAIN



Allied-Locke Barking Drum Chain has proven its ability to provide longer chain life, reduced downtime and smooth operation, whether suspended or used as drive chain on trunnion mounted drums. This chain features a double cotter design which provides an extra measure of protection in case of pin breakage. Allied-Locke has also developed a unique flanged idler for use with this chain which assures proper alignment of the chain and extends its service life.



CHAIN NO.	PITCH IN INCHES A	AVER. WEIGHT PER FT. IN LBS.	AVERAGE ULTIMATE STRENGTH IN LBS.	RECOM. WORKING LOAD IN LBS.	DIMENSIONS IN INCHES								
					SIDE BAR WIDTH B	SIDE BAR THICKEN. C	PIN DIA. D	MAX SPROKT. WIDTH E	BARREL SIZE			PIN END TO C J	PIN HEAD TO C K
									LENGTH F	WIDTH G	HEIGHT H		
2210	6.000	28.6	223,900	12,700	3 1/2	5/8	1 1/4	1 3/4	3 3/8	2 7/32	2	3 5/16	3 9/16
2220	6.000	35.6	238,800	15,800	4	5/8	1 1/2	1 3/4	3 1/2	3	2 5/8	3 3/8	3 5/8
2260	7.000	38.4	278,000	21,300	4	3/4	1 5/8	2 1/4	4 3/8	3	2 5/8	3 13/16	4 1/16

Allied-Locke Industries Inc.

... chain - sprockets - buckets

www.alliedlocke.com