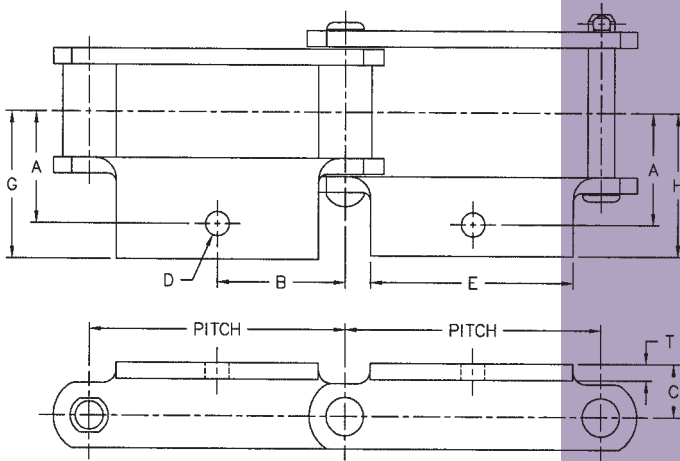




# SS CLASS BUSHED STEEL CHAIN ATTACHMENTS

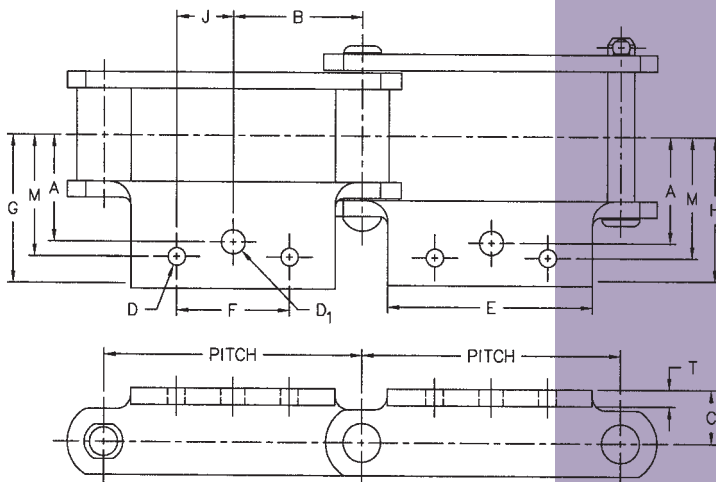
## A1 ATTACHMENT



MOLINE ATTACHMENT NO.	DIMENSIONS IN DECIMAL INCHES										AVERAGE WEIGHT PER FT. LBS.
	PITCH	A	B	C	D		E	G	H	T	
					BOLT DIAMETER	HOLE DIAMETER					
SS 131-A1	3.075	2.06	1.54	1.00	0.50	0.56	2.50	2.78	2.69	0.38	8.9

MOLINE ATTACHMENT NO.	DIMENSIONS IN DECIMAL INCHES													AVERAGE WEIGHT PER FT. LBS.		
	PITCH	A	B	C	D		D1		E	F	G	H	J		M	T
					BOLT DIA.	HOLE DIA.	BOLT DIA.	HOLE DIA.								
SS 188-A1/A2	2.609	1.88	1.31	0.81	0.31	0.34	0.38	0.41	2.12	1.25	2.53	2.56	0.62	2.09	0.25	4.8

## A1/A2 ATTACHMENT

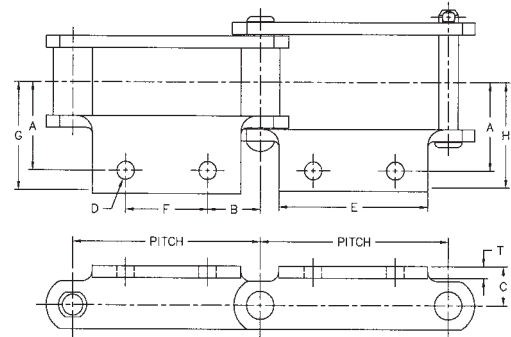


**Allied-Locke Industries Inc.**  
 . . . chain - sprockets - buckets  
[www.alliedlocke.com](http://www.alliedlocke.com)

# SS CLASS BUSHED STEEL CHAIN ATTACHMENTS



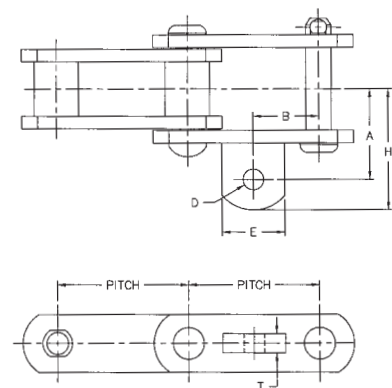
## A2 ATTACHMENT



MOLINE ATTACHMENT NO.	DIMENSIONS IN DECIMAL INCHES											AVERAGE WEIGHT PER FT. LBS.
	PITCH	A	B	C	D		E	F	G	H	T	
					BOLT DIAMETER	HOLE DIAMETER						
SS 131-A2	3.075	2.06	0.79	1.00	0.50	0.56	2.50	1.50	2.78	2.69	0.38	8.9
SS 102B-A2	4.000	2.66	1.12	1.00	0.38	0.41	2.62	1.75	3.20	3.36	0.38	8.0
SS 111-A2	4.760	3.12	1.23	1.50	0.50	0.56	3.62	2.31	3.75	3.90	0.38	12.4
SS 110-A2	6.000	2.66	2.12	1.00	0.38	0.41	2.88	1.75	3.19	3.36	0.38	7.5

MOLINE ATTACHMENT NO.	DIMENSIONS IN DECIMAL INCHES								AVERAGE WEIGHT PER FT. LBS.
	PITCH	A	B	D		E	H	T	
				BOLT DIAMETER	HOLE DIAMETER				
SS 188-A22	2.609	1.78	1.31	0.38	0.41	1.25	2.38	0.38	4.8

## A22 ATTACHMENT



### Allied-Locke Industries Inc.

... the company that delivers

#### Toll Free:

Phone: 800-435-7752

Fax: 800-462-3130

#### Local:

Phone: 815-288-1471

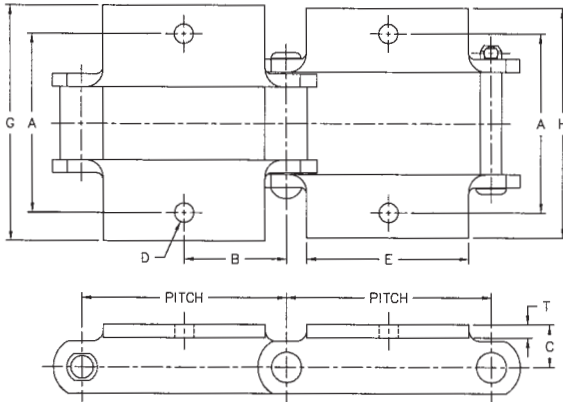
Fax: 815-288-7945

[www.alliedlocke.com](http://www.alliedlocke.com)



# SS CLASS BUSHED STEEL CHAIN ATTACHMENTS

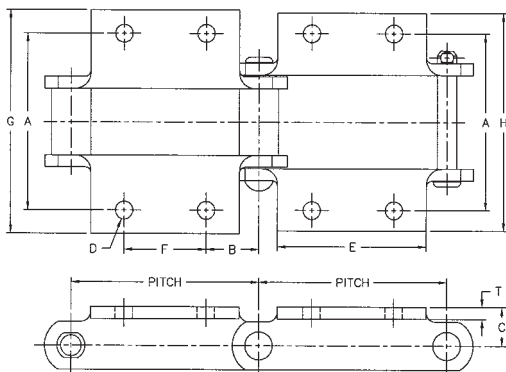
## K1 ATTACHMENT



MOLINE ATTACHMENT NO.	DIMENSIONS IN DECIMAL INCHES										AVERAGE WEIGHT PER FT. LBS.
	PITCH	A	B	C	D		E	G	H	T	
					BOLT DIAMETER	HOLE DIAMETER					
SS 131-K1	3.075	4.12	1.54	1.00	0.50	0.56	2.50	5.56	5.38	0.38	10.2

MOLINE ATTACHMENT NO.	DIMENSIONS IN DECIMAL INCHES										AVERAGE WEIGHT PER FT. LBS.	
	PITCH	A	B	C	D		E	F	G	H		T
					BOLT DIAMETER	HOLE DIAMETER						
SS 131-K2	3.075	4.12	0.79	1.00	0.50	0.56	2.50	1.50	5.56	5.38	0.38	10.2
SS 102B-K2	4.000	5.31	1.12	1.00	0.38	0.41	2.62	1.75	6.41	6.72	0.38	9.0
SS 111-K2	4.760	6.25	1.23	1.50	0.50	0.56	3.62	2.31	7.50	7.81	0.38	15.2
SS 110-K2	6.000	5.31	2.12	1.00	0.38	0.41	2.88	1.75	6.38	6.72	0.38	8.6
SS 856-K2	6.000	6.31	1.88	1.88	0.50	0.56	4.25	2.25	9.00	9.06	0.50	23.0
SS150+-K2	6.050	7.50	1.65	1.88	0.50	0.56	4.25	2.75	9.31	9.38	0.50	23.0

## K2 ATTACHMENT



**Allied-Locke Industries Inc.**  
... reach for the star of quality

**Toll Free:**  
Phone: 800-435-7752  
Fax: 800-462-3130

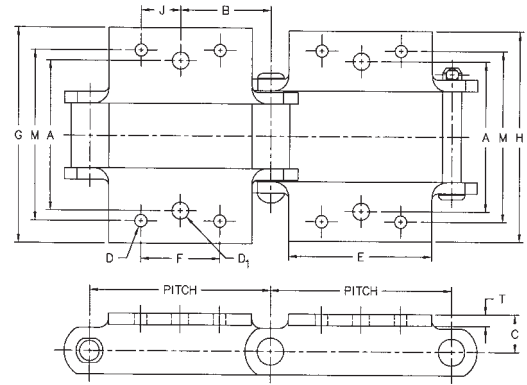
**Local:**  
Phone: 815-288-1471  
Fax: 815-288-7945

[www.alliedlocke.com](http://www.alliedlocke.com)

# SS CLASS BUSHED STEEL CHAIN ATTACHMENTS



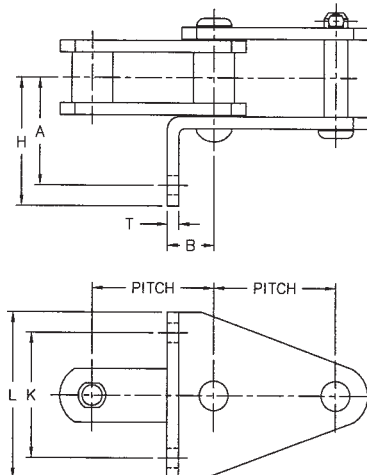
## K1/K2 ATTACHMENT



MOLINE ATTACHMENT NO.	DIMENSIONS IN DECIMAL INCHES															AVERAGE WEIGHT PER FT. LBS.
	PITCH	A	B	C	D		D1		E	F	G	H	J	M	T	
					BOLT DIA.	HOLE DIA.	BOLT DIA.	HOLE DIA.								
SS 188-K1/K2	2.609	3.75	1.30	0.81	0.31	0.34	0.38	0.41	2.12	1.25	5.06	5.12	0.62	4.19	0.25	5.7

MOLINE ATTACHMENT NO.	DIMENSIONS IN DECIMAL INCHES										AVERAGE WEIGHT PER FT. LBS.
	PITCH	A	B	D		H	K	L	T		
				BOLT DIAMETER	HOLE DIAMETER						
SS188-G19	2.609	2.25	1.00	0.38	0.41	2.69	2.62	3.50	0.25	5.1	
SS102B-G19	4.000	3.06	1.50	0.50	0.53	3.62	3.25	4.50	0.38	9.8	

## G19 ATTACHMENT



**Allied-Locke Industries Inc.**  
... chain - sprockets - buckets

**Toll Free:**  
Phone: 800-435-7752  
Fax: 800-462-3130

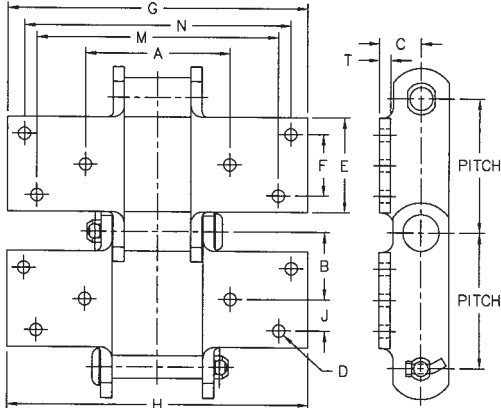
**Local:**  
Phone: 815-288-1471  
Fax: 815-288-7945

[www.alliedlocke.com](http://www.alliedlocke.com)

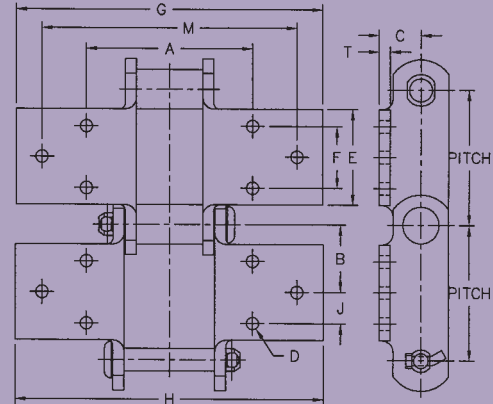


# SS CLASS BUSHED STEEL CHAIN ATTACHMENTS

## K3 ATTACHMENT



SS 856-K3

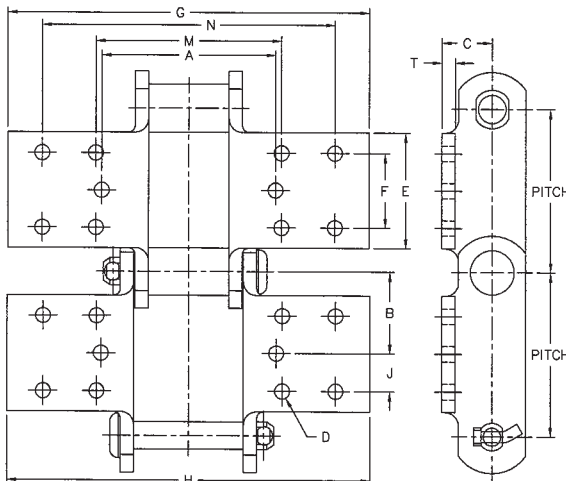


SS 150-K3

MOLINE ATTACHMENT NO.	DIMENSIONS IN DECIMAL INCHES														AVERAGE WEIGHT PER FT. LBS.
	PITCH	A	B	C	D		E	F	G	H	J	M	N	T	
					BOLT DIAMETER	HOLE DIAMETER									
SS 856-K3	6.000	6.56	3.00	1.88	0.50	0.56	4.25	2.75	13.50	13.56	1.38	10.94	12.06	0.50	27.3
SS 150+ -K3	6.050	7.50	3.02	1.88	0.50	0.56	4.25	2.75	13.81	13.88	1.38	11.50	—	0.50	26.9

MOLINE ATTACHMENT NO.	DIMENSIONS IN DECIMAL INCHES														AVERAGE WEIGHT PER FT. LBS.
	PITCH	A	B	C	D		E	F	G	H	J	M	N	T	
					BOLT DIAMETER	HOLE DIAMETER									
SS 856-K6	6.000	6.56	3.00	1.88	0.50	0.56	4.25	2.75	13.50	13.56	1.38	6.94	10.94	0.50	27.3

## K6 ATTACHMENT



**Allied-Locke Industries Inc.**

... the company that delivers

**Toll Free:**

Phone: 800-435-7752

Fax: 800-462-3130

**Local:**

Phone: 815-288-1471

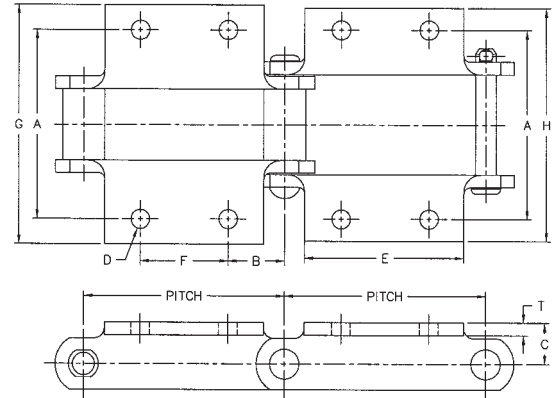
Fax: 815-288-7945

[www.alliedlocke.com](http://www.alliedlocke.com)

# SS CLASS BUSHED STEEL CHAIN ATTACHMENTS



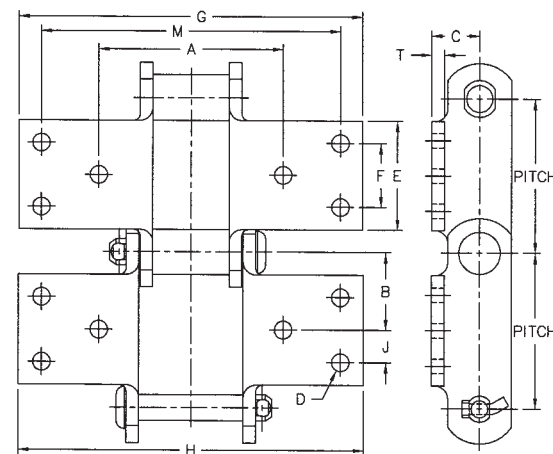
## K24 ATTACHMENT



MOLINE ATTACHMENT NO.	DIMENSIONS IN DECIMAL INCHES											AVERAGE WEIGHT PER FT. LBS.
	PITCH	A	B	C	D		E	F	G	H	T	
					BOLT DIAMETER	HOLE DIAMETER						
SS 856-K24	6.000	7.25	1.75	1.88	0.62	0.69	4.25	2.50	9.00	9.06	0.50	23.0

MOLINE ATTACHMENT NO.	DIMENSIONS IN DECIMAL INCHES													AVERAGE WEIGHT PER FT. LBS.
	PITCH	A	B	C	D		E	F	G	H	J	M	T	
					BOLT DIAMETER	HOLE DIAMETER								
SS 856-K35	6.000	7.25	3.00	1.88	0.62	0.69	4.25	2.50	13.50	13.56	1.25	11.75	0.50	27.3

## K35 ATTACHMENT



**Allied-Locke Industries Inc.**  
... reach for the star of quality

**Toll Free:**

Phone: 800-435-7752

Fax: 800-462-3130

**Local:**

Phone: 815-288-1471

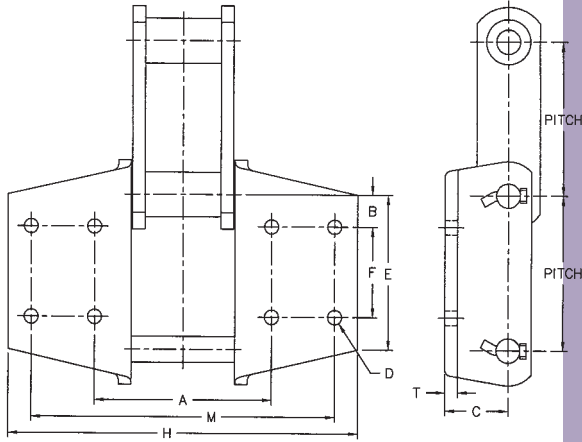
Fax: 815-288-7945

[www.alliedlocke.com](http://www.alliedlocke.com)

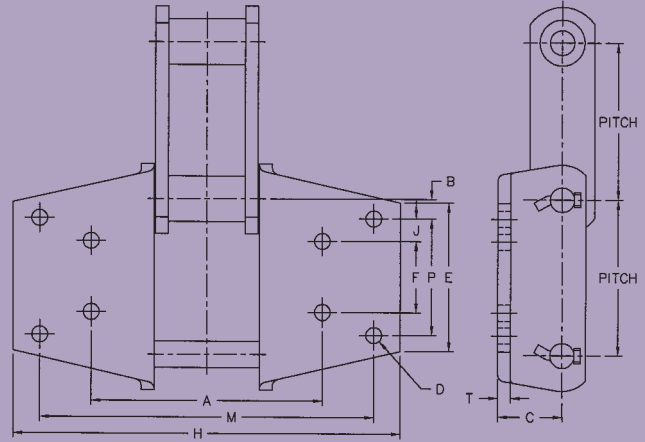


# SS CLASS BUSHED STEEL CHAIN ATTACHMENTS

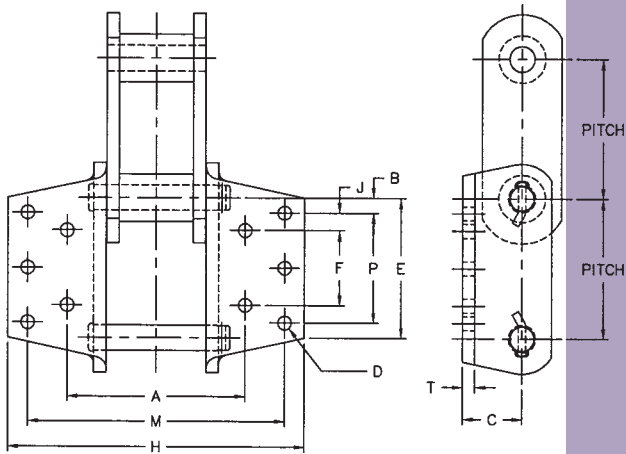
## K44 ATTACHMENT



**SS 857-K44**



**SS 859-K44**



**SS 864-K443**

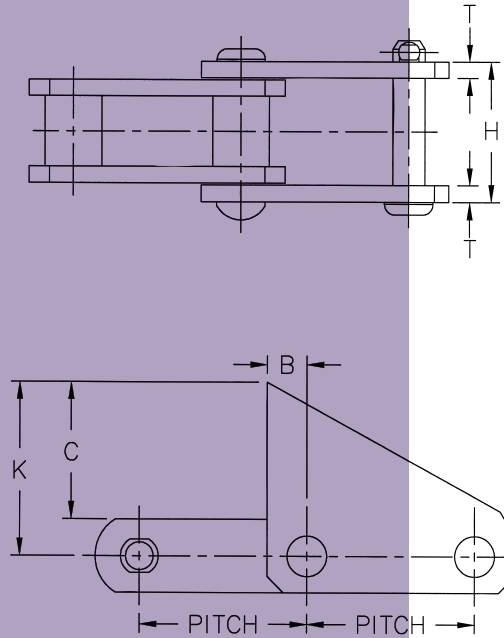
MOLINE ATTACHMENT NO.	DIMENSIONS IN DECIMAL INCHES													AVERAGE WEIGHT PER FT. LBS.
	PITCH	A	B	C	D		E	F	H	J	M	P	T	
					BOLT DIAMETER	HOLE DIAMETER								
SS 857-K44	6.000	7.00	1.25	2.50	0.50	0.56	6.00	3.50	13.81	—	12.00	—	0.50	42.0
SS 859-K44	6.000	9.00	0.75	3.00	0.62	0.69	6.75	2.75	15.06	0.88	13.00	4.50	0.62	68.0
SS 864-K443	7.000	9.00	0.75	3.00	0.62	0.69	7.00	3.75	15.00	0.88	13.00	5.50	0.62	55.0

**Allied-Locke Industries Inc.**  
... chain - sprockets - buckets  
[www.alliedlocke.com](http://www.alliedlocke.com)

# SS CLASS BUSHED STEEL CHAIN ATTACHMENTS



## S1 ATTACHMENT



MOLINE ATTACHMENT NO.	DIMENSIONS IN DECIMAL INCHES						AVERAGE WEIGHT PER FT. LBS.
	PITCH	B	C	H	K	T	
SS 188-S1	2.609	0.62	2.06	2.12	2.62	0.25	6.2
SS 131-S1	3.075	0.78	2.50	2.88	3.25	0.38	11.3
SS 102B-S1	4.000	0.81	3.00	3.72	3.75	0.38	9.7
SS 111-S1	4.760	1.00	3.25	4.19	4.25	0.38	13.0
SS 150+-S1	6.050	1.28	3.75	5.38	5.00	0.50	21.7

**Allied-Locke Industries Inc.**

. . . the company that delivers

**Toll Free:**

Phone: 800-435-7752

Fax: 800-462-3130

**Local:**

Phone: 815-288-1471

Fax: 815-288-7945

[www.alliedlocke.com](http://www.alliedlocke.com)