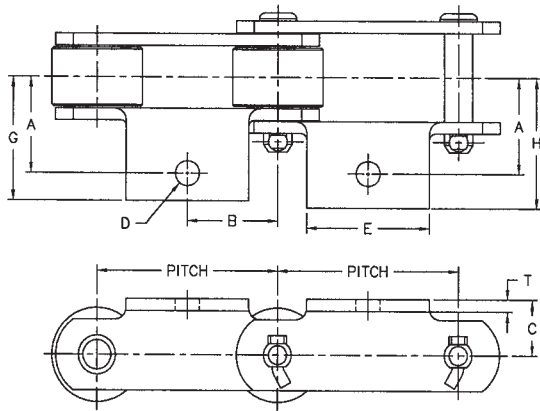




MSR CLASS BUSHED ROLLER STEEL CHAIN ATTACHMENTS

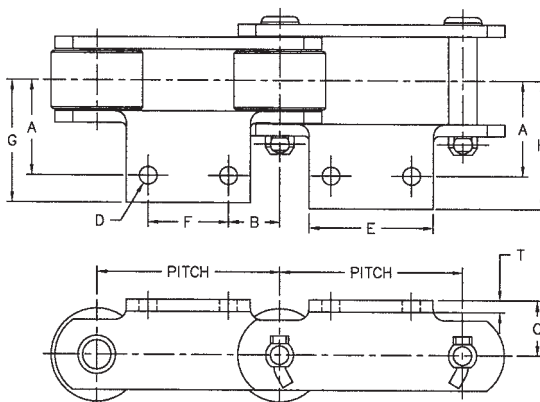
A1 ATTACHMENT



MOLINE ATTACHMENT NO.	DIMENSIONS IN DECIMAL INCHES											AVERAGE WEIGHT PER FT. LBS.
	PITCH	A	B	C	D		E	G	H	T		
					BOLT DIAMETER	HOLE DIAMETER						
MSR 4328-A1	4.000	2.00	2.00	1.25	0.50	0.56	2.00	2.78	2.94	0.38	11.2	

MOLINE ATTACHMENT NO.	DIMENSIONS IN DECIMAL INCHES											AVERAGE WEIGHT PER FT. LBS.
	PITCH	A	B	C	D		E	F	G	H	T	
					BOLT DIAMETER	HOLE DIAMETER						
MSR 1114-A2	6.000	2.00	2.00	1.12	0.38	0.41	3.50	2.00	2.56	2.92	0.31	8.5
MSR 1116-A2	6.000	2.00	2.00	1.12	0.38	0.41	3.50	2.00	2.56	2.62	0.25	6.0
MSR 1539-A2	3.075	2.00	0.59	1.25	0.31	0.34	2.75	1.88	2.50	2.59	0.31	8.0
MSR 2188-A2	4.000	1.81	1.12	1.00	0.50	0.56	3.00	1.75	2.66	2.75	0.31	7.9
MSR 6238-A2	6.000	2.12	1.69	1.62	0.50	0.56	5.38	2.62	2.94	2.84	0.38	12.0

A2 ATTACHMENT



Allied-Locke Industries Inc.

. . . chain - sprockets - buckets

Toll Free:

Phone: 800-435-7752

Fax: 800-462-3130

Local:

Phone: 815-288-1471

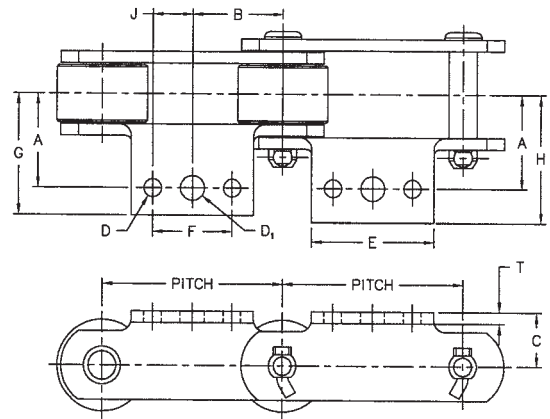
Fax: 815-288-7945

www.alliedlocke.com

MSR CLASS BUSHED ROLLER STEEL CHAIN ATTACHMENTS



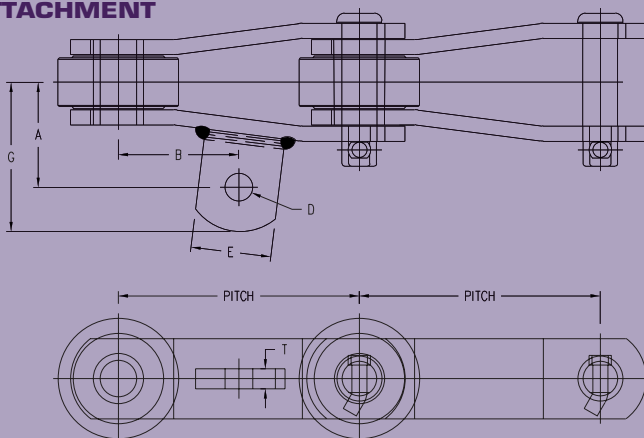
A1/A2 ATTACHMENT



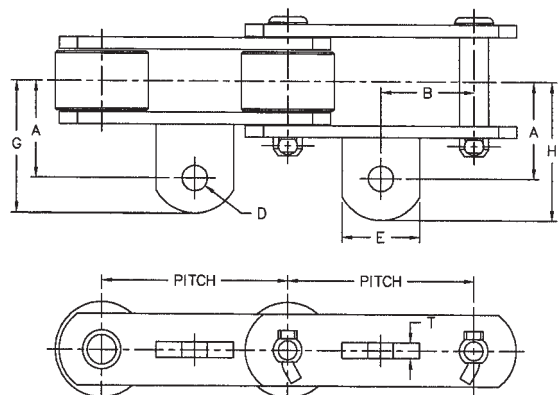
MOLINE ATTACHMENT NO.	DIMENSIONS IN DECIMAL INCHES														AVERAGE WEIGHT PER FT. LBS.
	PITCH	A	B	C	D		D1		E	F	G	H	J	T	
					BOLT DIAMETER	HOLE DIAMETER	BOLT DIAMETER	HOLE DIAMETER							
MSR 3013-A1/A2	3.000	1.47	1.50	0.81	0.25	0.28	0.31	0.34	2.00	1.06	1.97	2.16	0.53	0.19	4.5
MSR 4013-A1/A2	4.000	1.38	2.00	0.81	0.31	0.34	0.38	0.41	2.50	1.19	1.97	2.16	0.59	0.19	3.9
MSR 4019-A1/A2	4.000	1.38	2.00	0.88	0.38	0.41	0.38	0.41	2.50	1.50	1.88	1.91	0.75	0.25	4.7
MSR 4216-A1/A2	4.000	2.00	2.00	1.12	0.38	0.41	0.38	0.41	3.25	2.00	2.62	2.83	1.00	0.19	6.5
MSR 6018-A1/A2	6.000	2.00	3.00	1.25	0.38	0.41	0.38	0.41	3.00	2.00	2.50	2.53	1.00	0.25	5.4

MOLINE ATTACHMENT NO.	DIMENSIONS IN DECIMAL INCHES										AVERAGE WEIGHT PER FT. LBS.
	PITCH	A	B	G	D		E	H	T		
					BOLT DIAMETER	HOLE DIAMETER					
MSR 1114-A42	6.000	2.34	3.00	3.16	0.62	0.69	2.00	3.16	0.50	6.8	
MSR 1116-A42	6.000	2.34	3.00	3.12	0.62	0.69	2.00	3.16	0.50	6.2	
MSR 3013-A42	3.000	1.56	1.50	2.12	0.38	0.41	1.25	2.22	0.25	4.3	
MSR 4013-A42	4.000	1.62	2.00	2.12	0.38	0.41	1.25	2.12	0.38	3.7	
MSR 2184P-A42	6.000	2.62	3.00	3.72	0.62	0.69	2.00	3.62	0.50	12.9	

MSR2184P-A42 ATTACHMENT



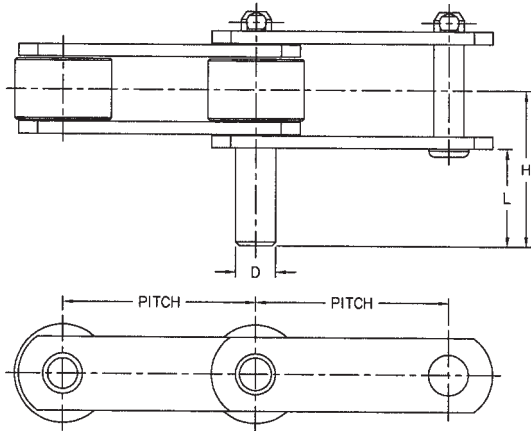
A42 ATTACHMENT





MSR CLASS BUSHED ROLLER STEEL CHAIN ATTACHMENTS

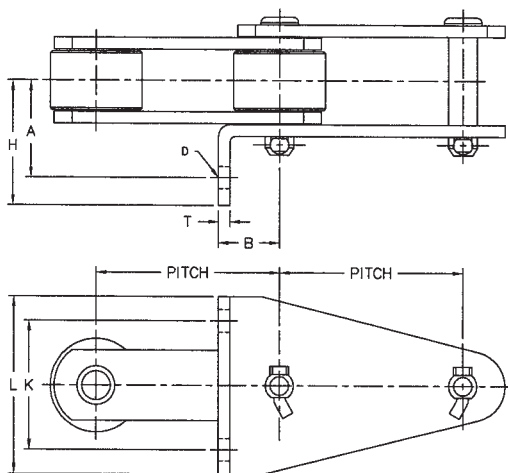
D5 ATTACHMENT



MOLINE ATTACHMENT NO.	DIMENSIONS IN DECIMAL INCHES				AVERAGE WEIGHT PER FT. LBS.
	PITCH	D	H	L	
MSR 303-D5 1/2	3.000	0.50	2.09	1.44	2.2
MSR 303-D5 9/16	3.000	0.56	2.09	1.44	2.4
MSR 3013-D5 5/8	3.000	0.62	2.41	1.50	4.7

MOLINE ATTACHMENT NO.	DIMENSIONS IN DECIMAL INCHES								AVERAGE WEIGHT PER FT. LBS.	
	PITCH	A	B	D		H	K	L		T
				BOLT DIAMETER	HOLE DIAMETER					
MSR 149-G19	4.000	2.62	1.50	0.50	0.53	3.38	3.25	4.50	0.38	11.7

G19 ATTACHMENT



Allied-Locke Industries Inc.
... reach for the star of quality

Toll Free:
Phone: 800-435-7752
Fax: 800-462-3130

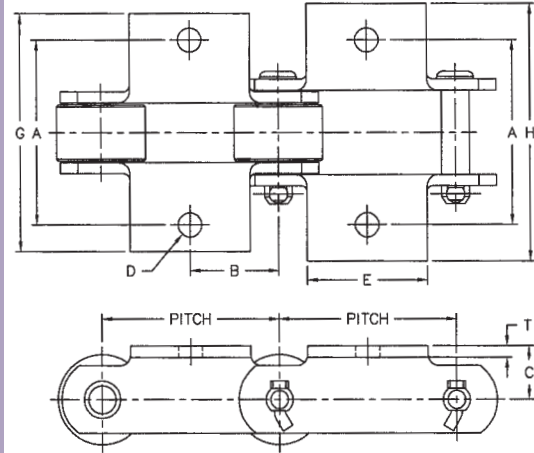
Local:
Phone: 815-288-1471
Fax: 815-288-7945

www.alliedlocke.com

MSR CLASS BUSHED ROLLER STEEL CHAIN ATTACHMENTS



K1 ATTACHMENT



MOLINE ATTACHMENT NO.	DIMENSIONS IN DECIMAL INCHES										AVERAGE WEIGHT PER FT. LBS.
	PITCH	A	B	C	D		E	G	H	T	
					BOLT DIAMETER	HOLE DIAMETER					
MSR 4328-K1	4.000	4.00	2.00	1.25	0.50	0.56	2.00	5.56	5.88	0.38	12.2

MOLINE ATTACHMENT NO.	DIMENSIONS IN DECIMAL INCHES										AVERAGE WEIGHT PER FT. LBS.	
	PITCH	A	B	C	D		E	F	G	H		T
					BOLT DIAMETER	HOLE DIAMETER						
MSR 996-K2	6.000	4.38	1.50	1.62	0.50	0.56	5.38	3.00	6.00	5.81	0.38	15.8
MSR 1116-K2	6.000	4.00	2.00	1.12	0.38	0.41	3.50	2.00	5.12	5.19	0.25	7.0
MSR 6238-K2	6.000	4.25	1.69	1.62	0.50	0.56	5.38	2.62	5.88	5.69	0.38	15.8

Allied-Locke Industries Inc.

. . . chain - sprockets - buckets

Toll Free:

Phone: 800-435-7752

Fax: 800-462-3130

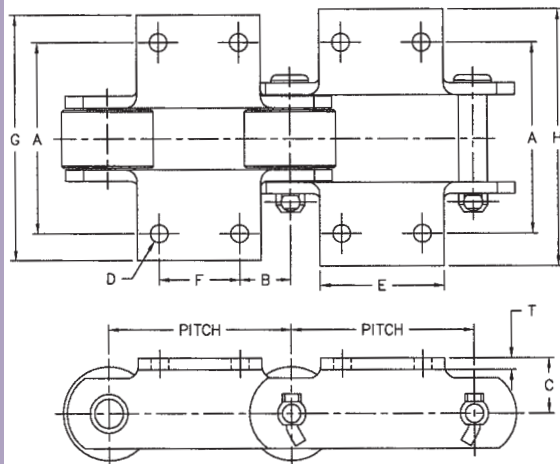
Local:

Phone: 815-288-1471

Fax: 815-288-7945

www.alliedlocke.com

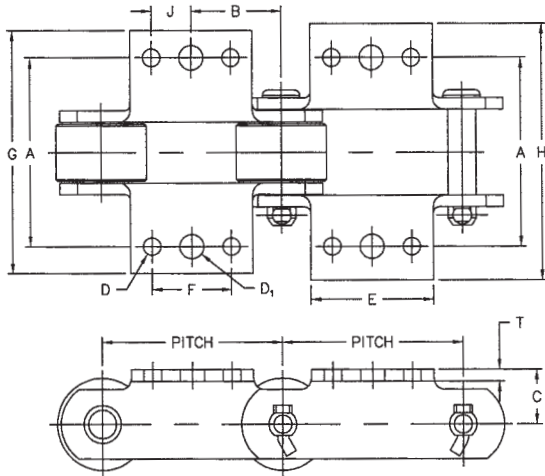
K2 ATTACHMENT





MSR CLASS BUSHED ROLLER STEEL CHAIN ATTACHMENTS

K1/K2 ATTACHMENT



MOLINE ATTACHMENT NO.	DIMENSIONS IN DECIMAL INCHES														AVERAGE WEIGHT PER FT. LBS.
	PITCH	A	B	C	D		D1		E	F	G	H	J	T	
					BOLT DIA.	HOLE DIA.	BOLT DIA.	HOLE DIA.							
MSR 3013-K1/K2	3.000	2.94	1.50	0.81	0.25	0.28	0.31	0.34	2.00	1.06	3.88	4.31	0.53	0.19	5.1
MSR 4013-K1/K2	4.000	2.75	2.00	0.81	0.31	0.34	0.38	0.41	2.50	1.19	3.88	4.31	0.59	0.19	4.4
MSR 4019-K1/K2	4.000	2.75	2.00	0.88	0.38	0.41	0.38	0.41	2.50	1.50	3.75	3.81	0.25	0.25	5.3
MSR 2188-K1/K2	4.000	3.62	1.12	1.00	0.50	0.56	0.50	0.56	3.00	1.75	5.31	5.50	0.88	0.31	8.8
MSR 6018-K1/K2	6.000	4.00	3.00	1.25	0.38	0.41	0.38	0.41	3.00	2.00	5.00	5.06	1.00	0.25	6.2

Allied-Locke Industries Inc.

. . . the company that delivers

Toll Free:

Phone: 800-435-7752

Fax: 800-462-3130

Local:

Phone: 815-288-1471

Fax: 815-288-7945

www.alliedlocke.com