



## Allied-Locke Industries, Inc.

T 800.435.7752

F 800.462.3130

info@alliedlocke.com



Corporate Office and Manufacturing Plant #1  
1088 Corregidor Road • P.O. Box 509  
Dixon, IL 61021



Manufacturing Plant #2  
1020 Subic Road  
Dixon, IL 61021



Manufacturing Plant #3  
226 Industrial Circle  
Union, MS 39305

Member of:



[www.alliedlocke.com](http://www.alliedlocke.com)

CS186 Rev. 8/16  
1,000

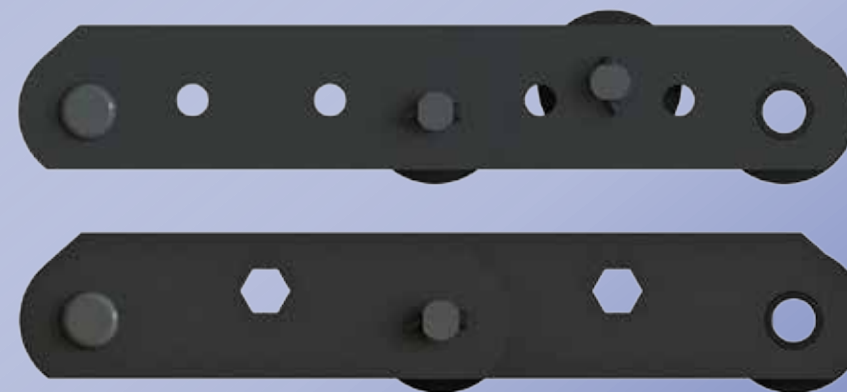


ISO 9001

Registered Quality System  
Dixon, IL Plants Only

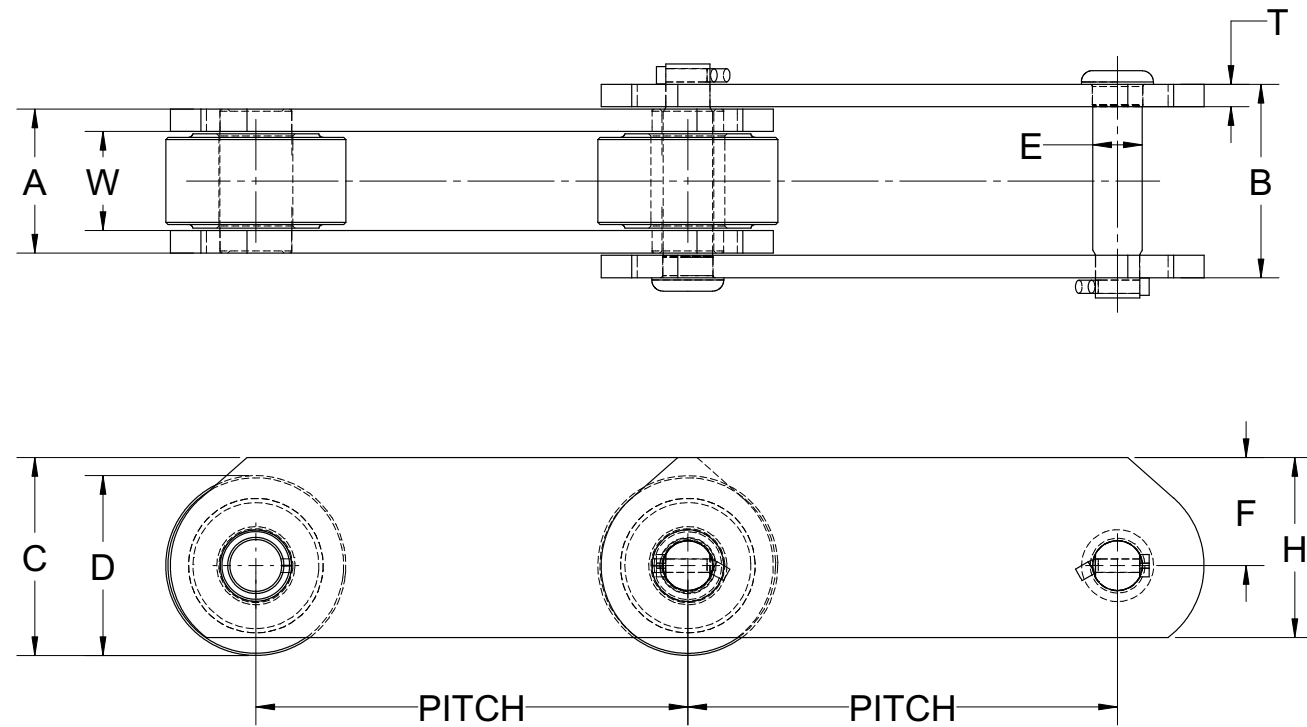
# CC5

& Other Deep Link  
Conveyor Chain

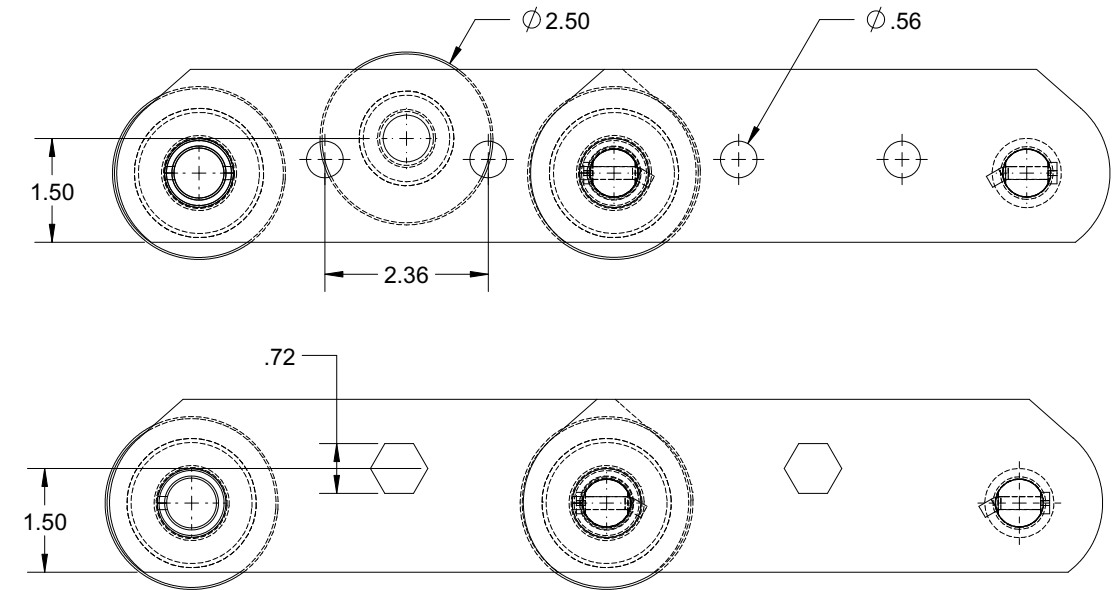


[www.alliedlocke.com](http://www.alliedlocke.com)





# CC5 ATTACHMENT CHAIN



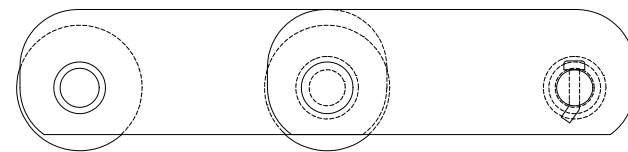
CHAIN	PITCH	PIN			ROLLER		SIDEBAR		C	F	AVG. ULT. STRENGTH	WORKING LOAD	WEIGHT PER FT.
		E	D	W	A	B	T	H					
MSR1317 *	3.000	0.44	1.50	1.00	1.38	1.78	0.19	1.50	1.69	0.94	13,000 LBS	2,100 LBS	4.5 LBS
MSR2439	4.000	0.44	1.25	0.63	1.13	1.66	0.25	1.50	1.59	0.97	24,200 LBS	1,700 LBS	3.9 LBS
CC5	6.000	0.69	2.50	1.38	2.00	2.69	0.31	2.50	2.75	1.50	50,000 LBS	4,800 LBS	11.0 LBS

## Attachment Options

In addition to keeping stock of plain chain and industry standard attachment chain, Allied-Locke offers CC5 chain with custom attachment options



CC5 with Standard Top Roller and Hex Hole Chain Now Stocked



\* MSR1317 Profile



## Sprockets

Custom made sprockets are also available for all of the chain that we stock and sell