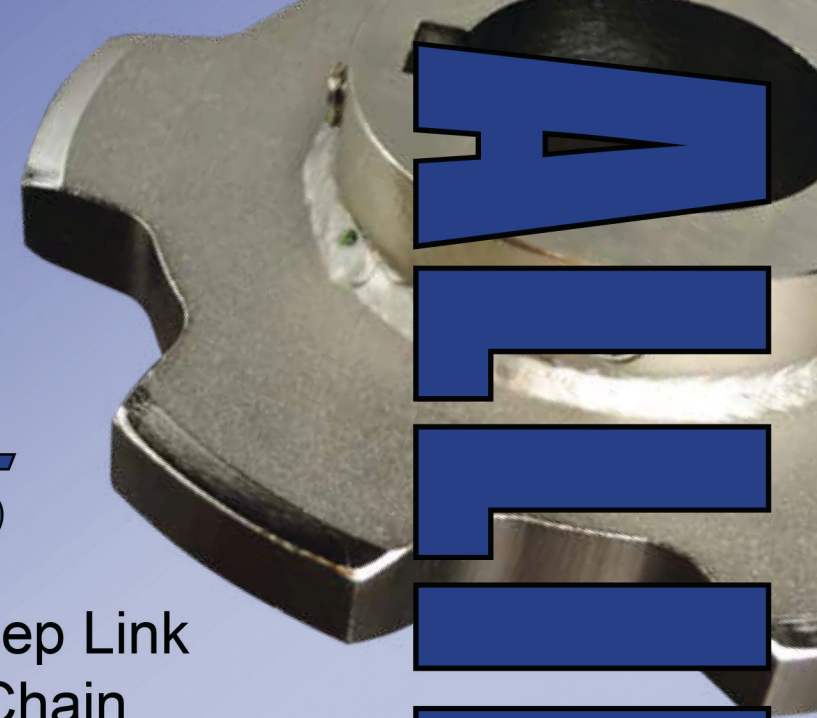




CC5

& Other Deep Link
Conveyor Chain



ALLIED-LOCKE

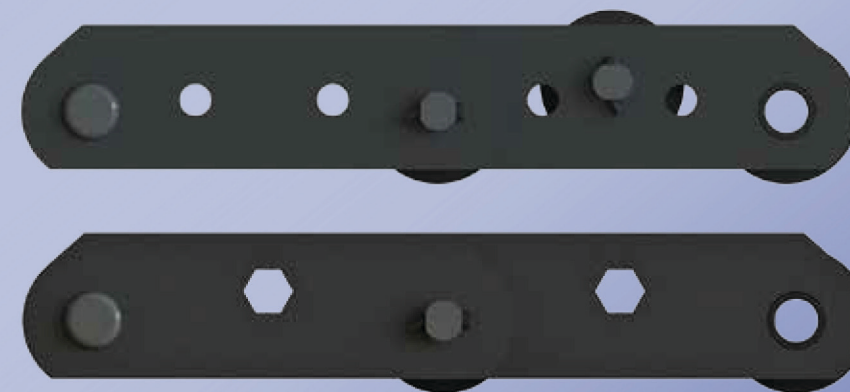
ALLIED-LOCKE INDUSTRIES, INC.

800.435.7752 - TOLL FREE PHONE

800.462.3130-FAX

info@alliedlocke.com

www.alliedlocke.com

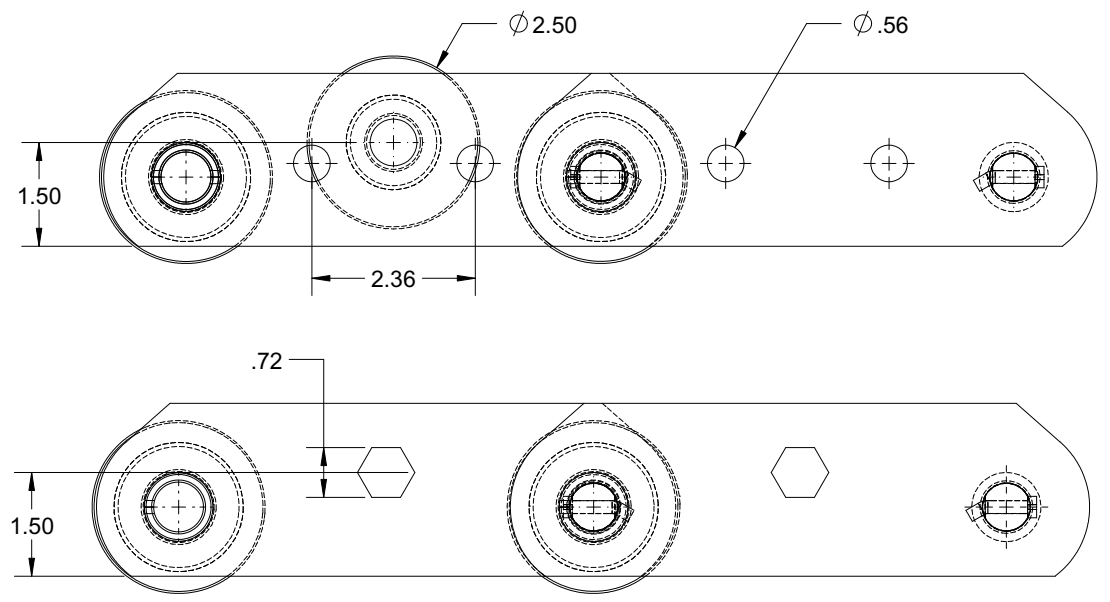
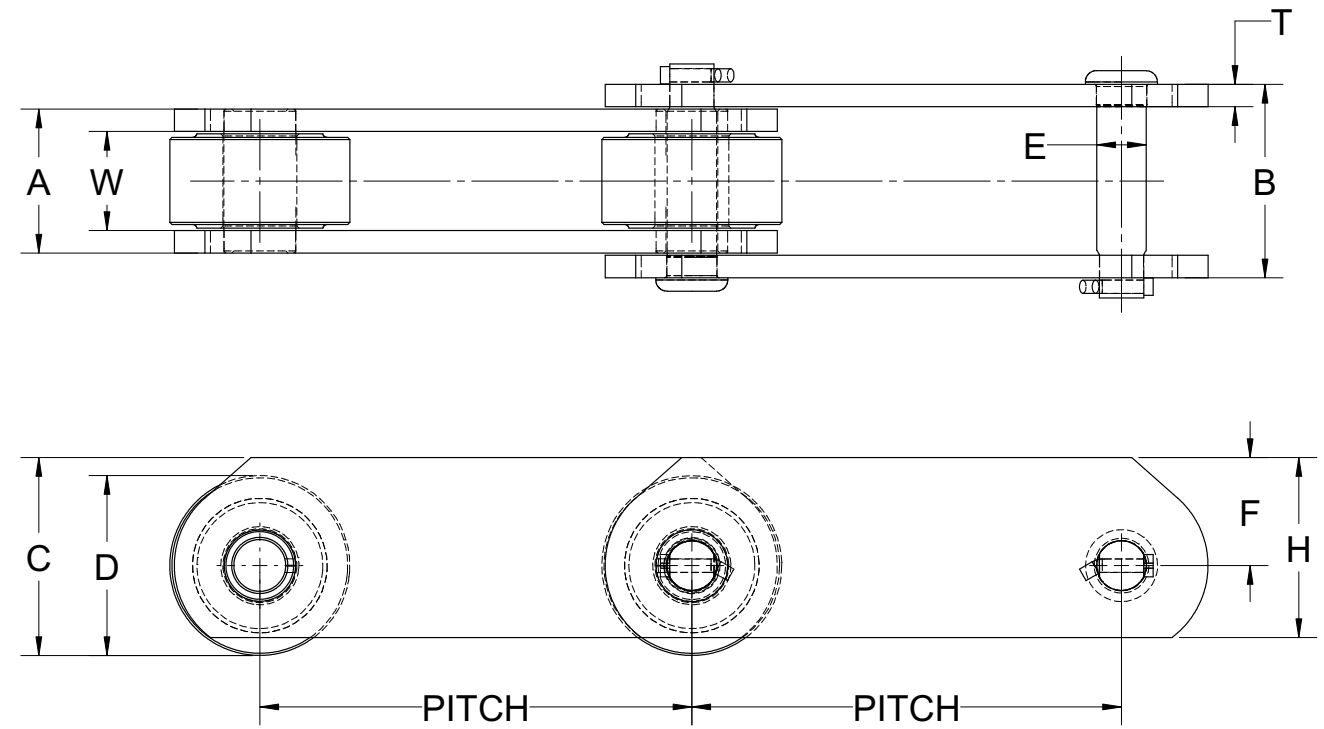


www.alliedlocke.com

CS186 Rev. 01/2026

www.alliedlocke.com

CC5 ATTACHMENT CHAIN



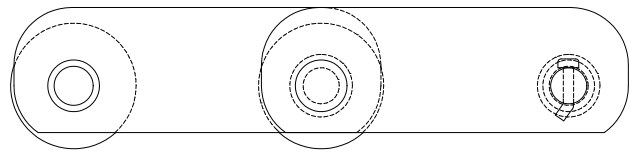
CHAIN	PITCH	PIN			ROLLER			SIDEBAR		AVG. ULT. STRENGTH	WORKING LOAD	WEIGHT PER FT.	
		E	D	W	A	B	T	H	C				F
MSR1317 *	3.000	0.44	1.50	1.00	1.38	1.78	0.19	1.50	1.69	0.94	13,000 LBS	2,100 LBS	4.5 LBS
MSR2439	4.000	0.44	1.25	0.63	1.13	1.66	0.25	1.50	1.59	0.97	24,200 LBS	1,700 LBS	3.9 LBS
CC5	6.000	0.69	2.50	1.38	2.00	2.69	0.31	2.50	2.75	1.50	50,000 LBS	4,800 LBS	11.0 LBS

Attachment Options

In addition to keeping stock of plain chain and industry standard attachment chain, Allied-Locke offers CC5 chain with custom attachment options



CC5 with Standard Top Roller and Hex Hole Chain Now Stocked



* MSR1317 Profile



Sprockets

Custom made sprockets are also available for all of the chain that we stock and sell